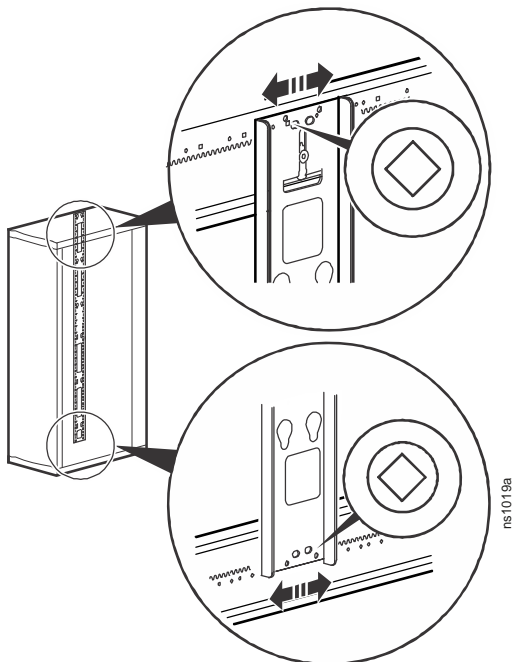
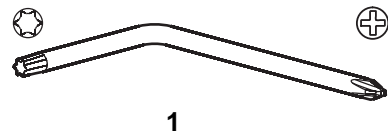


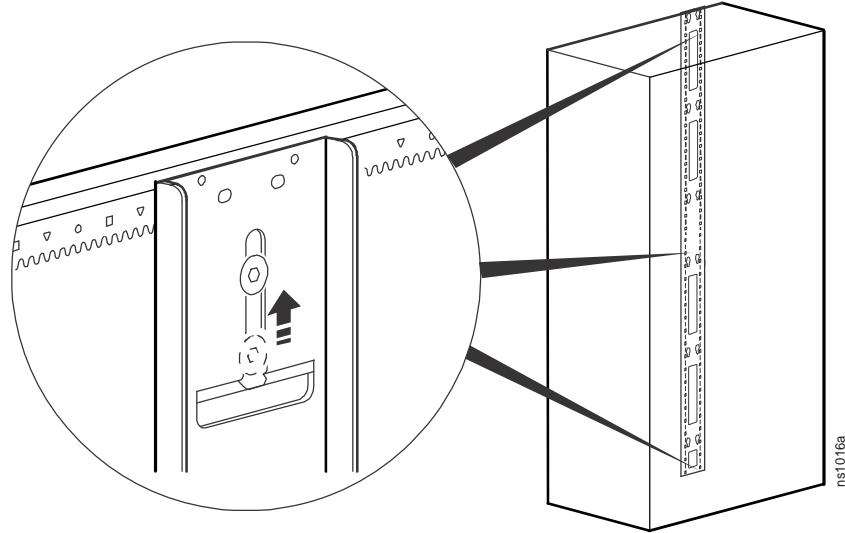
NetShelter™ Enclosure Accessories Rear Cable Channel Installation

AR7502, AR7511, AR7552, AR7572



1. Lift and set the rear cable channel onto the side braces of the assembly, ensuring that the three hooks on the back of the rear cable channel hook onto the side braces of the assembly.
2. Move the rear cable channel to the final location.
3. Align the rear cable channel so that the same symbols are visible through the holes at the top and bottom of the rear cable channel.

4. Push up the screw in the rear cable channel and tighten the screw to lock it into place.



nst1016a

Customer support and warranty information is available at www.schneider-electric.com.

© 2016 Schneider Electric. All Rights Reserved. Schneider Electric and NetShelter are trademarks owned by Schneider Electric Industries, S.A.S.

990-2243C-001
1/2016