

Installation and Operation Manual

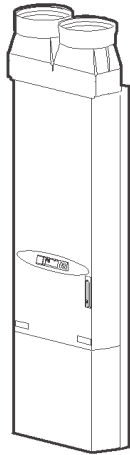
Rack Air Distribution

Rack Air Removal Unit SX

ACF400, ACF402, ACF115, ACF126, ACF127

990-1232J-001

Publication Date: November 2014



Schneider Electric IT Corporation Legal Disclaimer

The information presented in this manual is not warranted by the Schneider Electric IT Corporation to be authoritative, error free, or complete. This publication is not meant to be a substitute for a detailed operational and site specific development plan. Therefore, Schneider Electric IT Corporation assumes no liability for damages, violations of codes, improper installation, system failures, or any other problems that could arise based on the use of this Publication.

The information contained in this Publication is provided as is and has been prepared solely for the purpose of evaluating data center design and construction. This Publication has been compiled in good faith by Schneider Electric IT Corporation. However, no representation is made or warranty given, either express or implied, as to the completeness or accuracy of the information this Publication contains.

IN NO EVENT SHALL SCHNEIDER ELECTRIC IT CORPORATION, OR ANY PARENT, AFFILIATE OR SUBSIDIARY COMPANY OF SCHNEIDER ELECTRIC IT CORPORATION OR THEIR RESPECTIVE OFFICERS, DIRECTORS, OR EMPLOYEES BE LIABLE FOR ANY DIRECT, INDIRECT, CONSEQUENTIAL, PUNITIVE, SPECIAL, OR INCIDENTAL DAMAGES (INCLUDING, WITHOUT LIMITATION, DAMAGES FOR LOSS OF BUSINESS, CONTRACT, REVENUE, DATA, INFORMATION, OR BUSINESS INTERRUPTION) RESULTING FROM, ARISING OUT, OR IN CONNECTION WITH THE USE OF, OR INABILITY TO USE THIS PUBLICATION OR THE CONTENT, EVEN IF SCHNEIDER ELECTRIC IT CORPORATION HAS BEEN EXPRESSLY ADVISED OF THE POSSIBILITY OF SUCH DAMAGES. SCHNEIDER ELECTRIC IT CORPORATION RESERVES THE RIGHT TO MAKE CHANGES OR UPDATES WITH RESPECT TO OR IN THE CONTENT OF THE PUBLICATION OR THE FORMAT THEREOF AT ANY TIME WITHOUT NOTICE.

Copyright, intellectual, and all other proprietary rights in the content (including but not limited to software, audio, video, text, and photographs) rests with Schneider Electric IT Corporation or its licensors. All rights in the content not expressly granted herein are reserved. No rights of any kind are licensed or assigned or shall otherwise pass to persons accessing this information.

This Publication shall not be for resale in whole or in part.

Table of Contents

Safety.....	1
Important Safety Information	1
Safety Precautions During Installation	2
General Information.....	3
Overview.....	3
Product description	3
Inventory.....	4
Tools required (not provided)	4
Receiving inspection	4
Installation.....	5
Attach the Mounting Frame	5
Remove the doors	5
Secure the mounting frame to the enclosure	8
Extend and attach the mounting frame	10
Install the fan assembly	11
Install the anti-tip strap	12
Connect the ground wire	12
Fan Assembly Extension	13
Adjust the fan assembly extension	13
Attach the fan assembly extension	14
Connect the power supply	14
Optional Items	16
Operation.....	17
Display Interface.....	17
Navigating the interface	18
Password entry	18
Set Points	19
Master Control	19
Mode	19
Total Flow	19
kW Support	19

Fan Status	20
ARU Fan	20
Status	20
Speed	20
Flow	20
Exhaust	20
Upper plenum	20
Lower plenum	20
Override	20
Environment	21
Remote Sensor	21
Temperature	21
Status	21
Sensor Config.	21
Maintenance	21
Fan History	21
Fan Runtime	21
Alarms	22
View Active Alarms	22
Alarm/Event Log	22
Alarm Beacon	22
Alarm Beeper	22
Config.	23
Device/Network	23
Units/Log Lamp/Etc	23
Manufacturer Data	23
Factory Defaults	23
Device ID	24
Input	24
AC Input A	24
AC Input B	24
Redundant Pwr	24
Troubleshooting	25
Specifications	26

Safety

Important Safety Information

Read the instructions carefully to become familiar with the equipment before trying to install, operate, service, or maintain it. The following special messages may appear throughout this manual or on the equipment to warn of potential hazards or to call attention to information that clarifies or simplifies a procedure.



The addition of this symbol to a Danger or Warning safety label indicates that an electrical hazard exists which will result in personal injury if the instructions are not followed.



This is the safety alert symbol. It is used to alert you to potential personal injury hazards. Obey all safety messages that follow this symbol to avoid possible injury or death.

⚠ DANGER

DANGER indicates an imminently hazardous situation which, if not avoided, **will result in** death or serious injury.

⚠ WARNING

WARNING indicates a potentially hazardous situation which, if not avoided, **can result in** death or serious injury.

⚠ CAUTION

CAUTION indicates a potentially hazardous situation which, if not avoided, **can result in** minor or moderate injury.

NOTICE

NOTICE addresses practices not related to physical injury including certain environmental hazards, potential damage or loss of data.

Safety Precautions During Installation

⚠ ⚠ DANGER

HAZARD OF ELECTRIC SHOCK

- Connect the Rack Air Removal Unit SX to a three-wire, grounded outlet. The outlet must be connected to appropriate branch circuit or mains protection (fuse or circuit breaker). Connection to any other type of outlet may result in a shock hazard.
- This equipment contains potentially hazardous voltages. Do not attempt to disassemble the unit.

Failure to follow these instructions can result in death or serious injury.

⚠ WARNING

DAMAGE HAZARD

- Install the Rack Air Removal Unit SX only on an enclosure that is loaded with equipment, counter-weighted, or stabilized to avoid tipping of the enclosure.
- Inspect the Rack Air Removal Unit SX for damage before installation.
- Do not apply power to the unit until the installation is complete. The Rack Air Removal Unit SX contains moving parts, which are potentially hazardous when operated outside of the enclosure.
- Do not allow loose hair or clothing near the fans because the fans create suction.
- Check that the power cord plugs and sockets are in good condition before installation.
- Always install and operate the Rack Air Removal Unit SX only as shown in this manual.
- There are no customer-serviceable items on the Rack Air Removal Unit SX. Do not attempt to open or repair the Rack Air Removal Unit SX.

Failure to follow these instructions can result in death, serious injury, or equipment damage.

⚠ CAUTION

INJURY HAZARD

Do not attempt to install the Rack Air Removal Unit SX by yourself. Doing so introduces the risk of injury. The Rack Air Removal Unit SX requires at least two people to install it safely.

Failure to follow these instructions can result in injury or equipment damage.

General Information

Overview

Product description

The Schneider Electric Rack Air Removal Unit SX (ARU) removes heat generated by the equipment contained in a NetShelter[®] SX or VX enclosure. The ARU consists of a fan box (ACF115) and a mounting frame (ACF136 or ACF137). Four fans provide airflow to remove hot exhaust from densely packed equipment and allow air to overcome resistance of power and data cables in the rear of the enclosure. A ducting kit, sold separately, connects to a ceiling plenum and removes the heat entirely from the room.

ACF400: Features of the Rack Air Removal Unit SX include the following:

- Fault tolerant fan system
- Dual A-B power inputs
- Integrated network management card
- Integrated LCD display

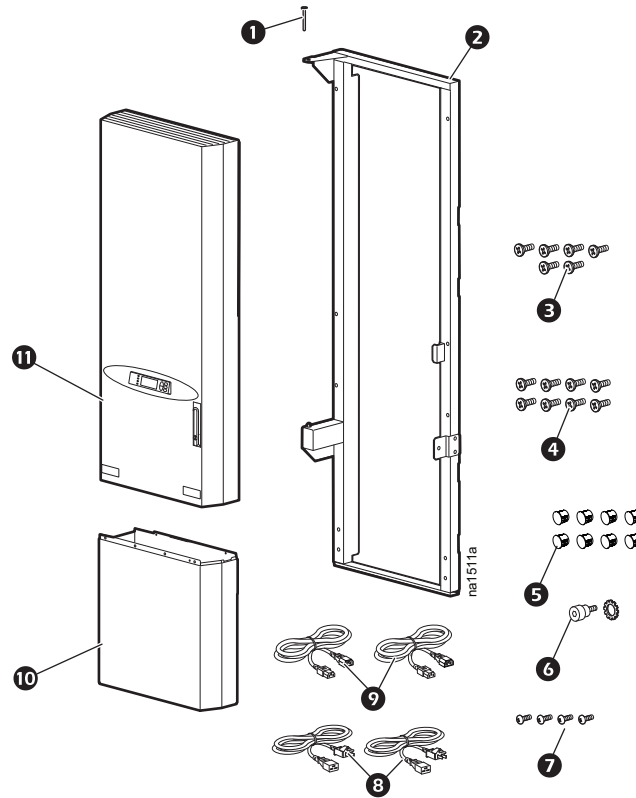
Additional items sold separately:

- Duct kit (ACF126, ACF127) - Connects fan box to ceiling plenum (Recommended)
- Alarm beacon (AP9324) - flashes when alarm condition exists (Optional)
- Remote temperature sensor (AP9335T) - connect up to three sensors (Optional)



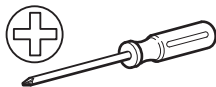
See *Application Note AN-109 Rack Air Removal Unit SX Application Guidelines* for more information.

Inventory



Item	Description	Quantity
1	Hinge pin	1
2	Fan assembly mounting frame	1
3	NetShelter SX M6 Phillips rack-mounting screws	6
4	NetShelter VX M6 Phillips rack-mounting screws	8
5	Hole plugs	8
6	M6 shoulder hex screw with lock washer	1
7	Fan assembly extension M4 Phillips mounting screws	4
8	Power cords—NEMA 5-15	2
9	Power cords—CEE22	2
10	Fan assembly extension	1
11	Fan assembly	1

Tools required (not provided)



#2 Phillips screwdriver



M5 TORX®/Phillips



Hex wrench

Receiving inspection

Inspect the package and contents for shipping damage, and make sure that all parts were sent. Report any damage immediately to the shipping agent. Report missing contents, damage, or other problems immediately to Schneider Electric or your Schneider Electric reseller.

Installation

Attach the Mounting Frame

Remove the doors

▲ CAUTION

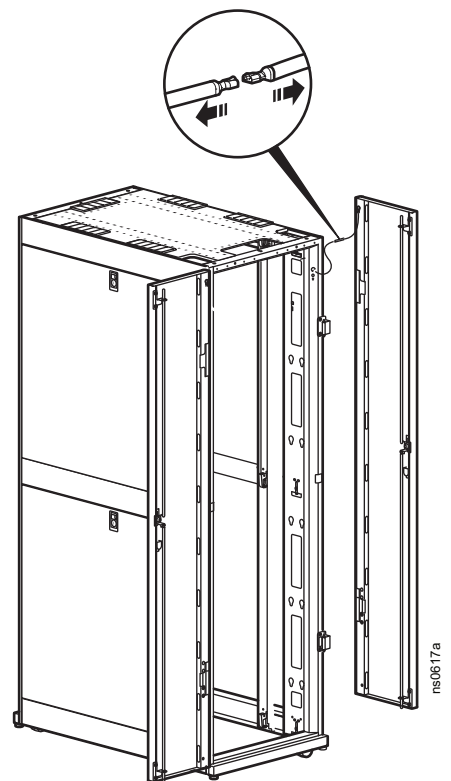
TIPPING OR DAMAGE HAZARD

- To avoid personal injury or damage to the enclosure, one person should support the door while another person removes it from the frame.
- If the enclosure is not joined to other enclosures, ensure it contains sufficient weight or has adequate support to prevent it tipping during ARU installation.

Failure to follow these instructions can result in serious injury, or equipment damage.

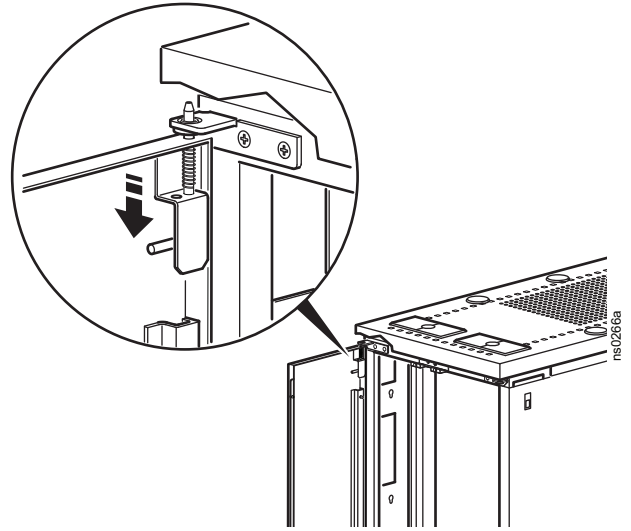
1. If necessary, move the enclosure to allow at least 762 mm (30 in.) of clearance at the rear of the enclosure to install the ARU.
2. Disconnect the grounding wires from each door.
3. Remove the grounding wires from the rack to enable the ARU to fit properly.
4. Remove the rear doors from the enclosure.

Removing doors from an SX enclosure: Open the door 90 degrees and lift it up and off its hinges.

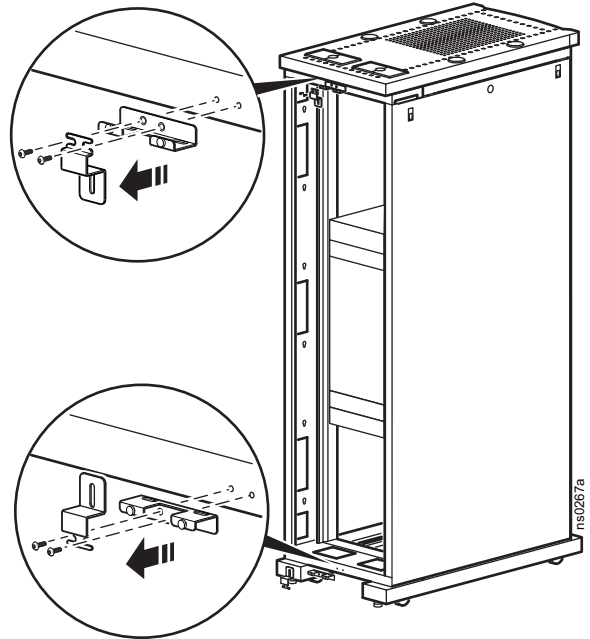


Removing doors from a VX enclosure:

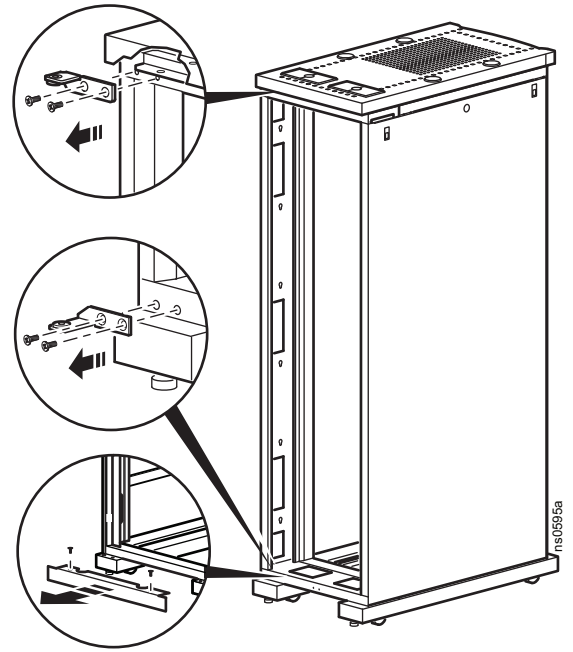
1. Open the rear doors and pull down on the spring-loaded hinge pin. Lift the doors from their frame.



2. Using an Allen wrench, remove the door bumpers at the top and bottom of the door frame.



- Using a Phillips head screwdriver, remove the rear door hinges and the rear skirt from the enclosure.



Secure the mounting frame to the enclosure

⚠ WARNING

TIPPING OR DAMAGE HAZARD

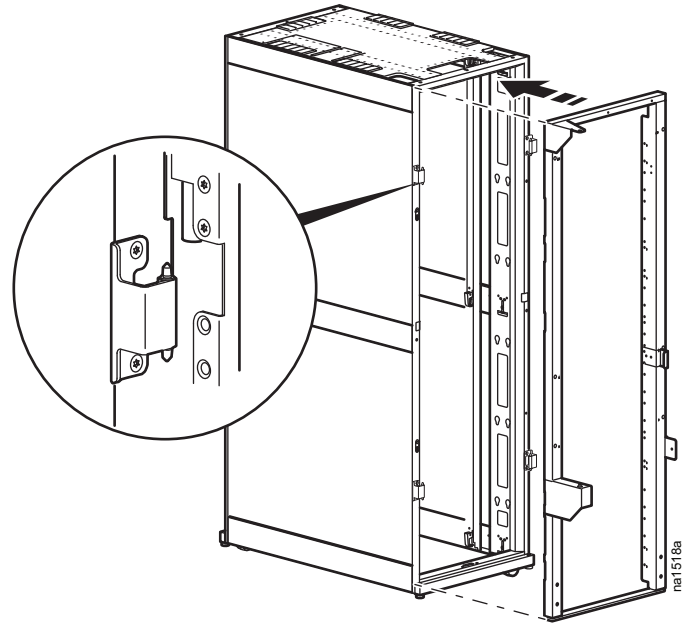
Install the Rack Air Removal Unit SX only on an enclosure that is loaded with equipment, counter-weighted, or stabilized to avoid tipping the enclosure.

Failure to follow these instructions can result in serious injury, or equipment damage.

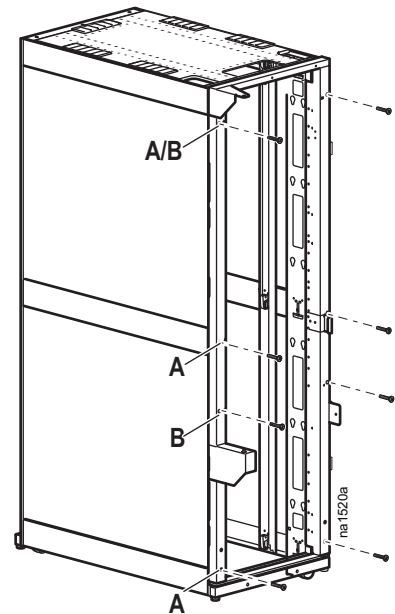
Attach the mounting frame to a 42U SX enclosure

1. Remove the six hole plugs from the mounting holes of the enclosure.
2. Lift and place the mounting frame on top of the door hinges, letting the frame rest on the hinges.

NOTE: On NetShelter SX enclosures, the mounting frame uses the door hinges for correct installation.



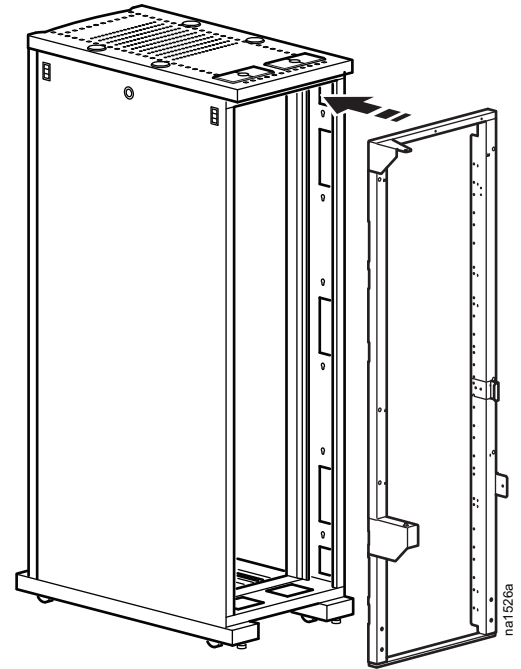
3. Secure the frame to the enclosure using six M6 Phillips screws.
 - a. Use the top holes marked **A/B**.
 - b. Use the middle and bottom holes marked **A**.
 - c. If desired, fill unused middle holes marked **B** with hole plugs (provided).**NOTE:** Your mounting frame may look slightly different.



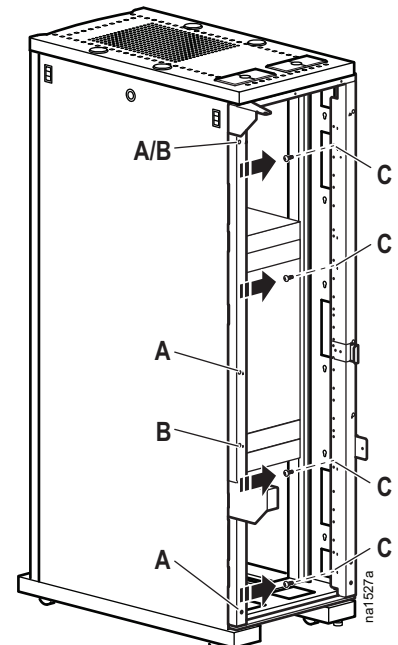
All NetShelter SX 42U-high enclosures

Attach the mounting frame to a 42U VX enclosure

1. Place the mounting frame on the enclosure, aligning the top of the mounting frame with the top edge of the enclosure opening.



2. Secure the mounting frame to the enclosure using eight M6 Phillips screws (four per side). Use the holes marked **C** on the inside edges of the mounting frame.
 3. If desired, fill unused holes marked **A/B**, **A**, and **B** on the front surface with hole plugs (provided).
- NOTE:** Your mounting frame may look slightly different.



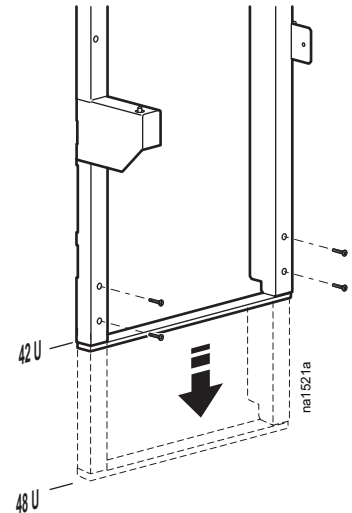
All NetShelter VX 42U-high enclosures

Extend and attach the mounting frame

If your enclosure is 47U or 48U tall, extend the mounting frame to accommodate the additional U-spaces.

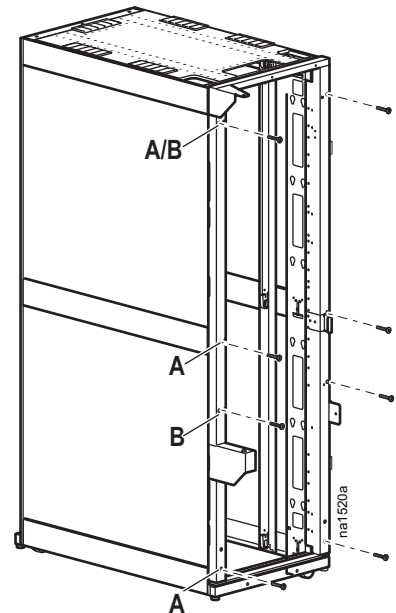
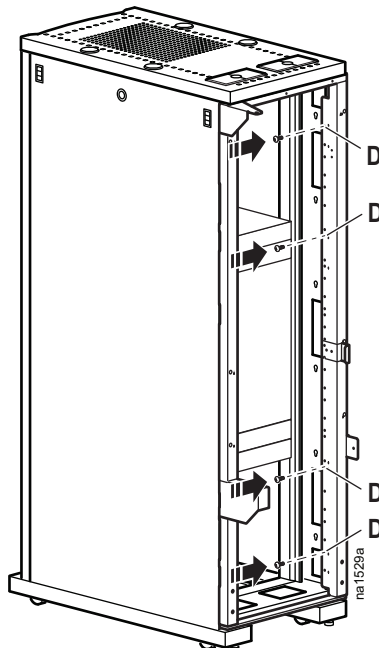
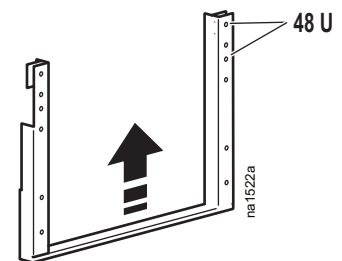
1. Remove the two screws on each side of the lower part of the frame.
2. Extend the frame to the height of the enclosure.
3. Use the two screws removed in step 1 to attach the frame.

NOTE: There are four holes on each side of the expandable section of the frame. A 47U frame will use the second and fourth holes for installation. A 48U frame will use the first and third holes for installation.



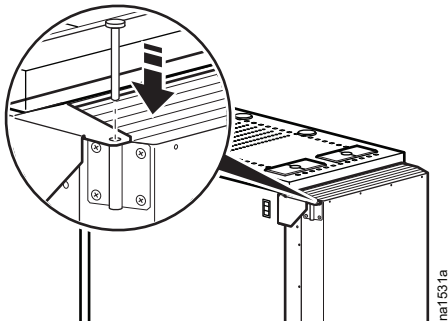
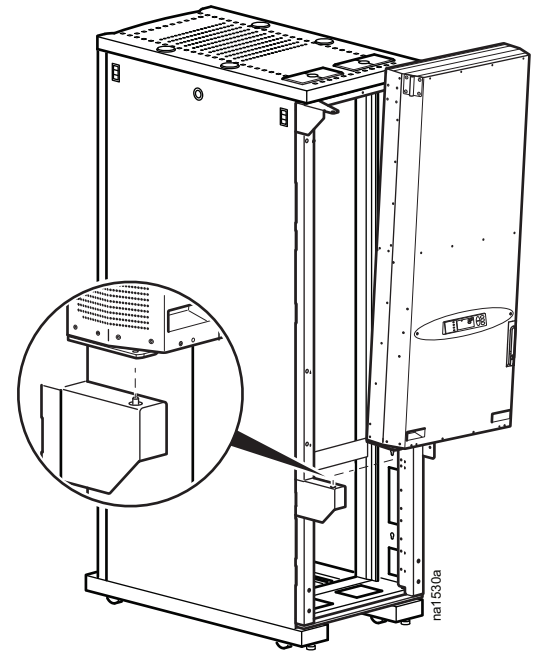
4. Place the mounting frame onto the enclosure.
5. For a NetShelter SX installation, secure the mounting frame to the enclosure using six M6 Phillips screws (three per side). Use the holes marked **A/B** and **B** on the front surface of the mounting frame. For a NetShelter VX installation, secure the mounting frame to the enclosure using eight M6 Phillips screws (four per side). Use the holes marked **D** on the inside edges of the mounting frame.
6. If desired, fill unused mounting holes on the mounting frame surface with hole plugs (provided).

NOTE: Your mounting frame may look slightly different.



Install the fan assembly

1. Ensure that the leveling feet of the enclosure have been lowered to the surface of the floor.
2. Using two people, lift the fan assembly using the handles on the front, bottom, and inside of the unit.
3. Align the lower hinge pin of the mounting frame with the hole in the pin on the fan assembly, and carefully set it into place.

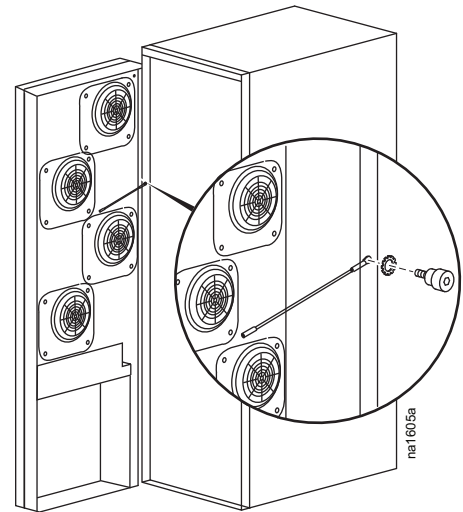


4. Align the upper hinge of the mounting frame with the upper hinge of the fan assembly, and slide the hinge pin into position.

Install the anti-tip strap

The anti-tip strap prevents the enclosure from tipping to the side before the enclosure is stabilized.

Using the M6 shoulder hex screw and lock washer (provided), attach the anti-tip strap.



NOTICE

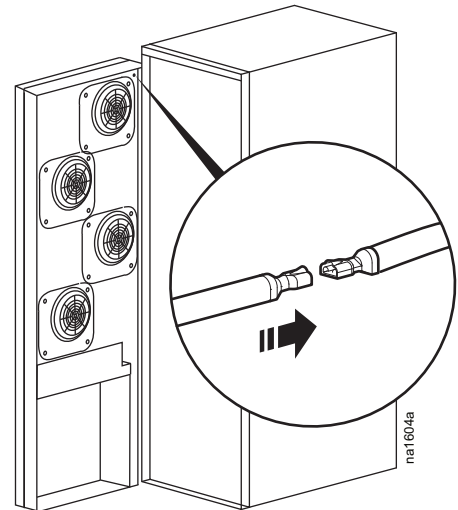
TIPPING HAZARD

Do not remove the anti-tip strap after it has been installed. Lowering the leveling feet of the enclosure will help stabilize it, but will not prevent it from tipping over.

Failure to follow these instructions can result in equipment damage.

Connect the ground wire

To ground the unit, attach the ground wire connected to the fan assembly to the ground wire connected to the mounting frame.

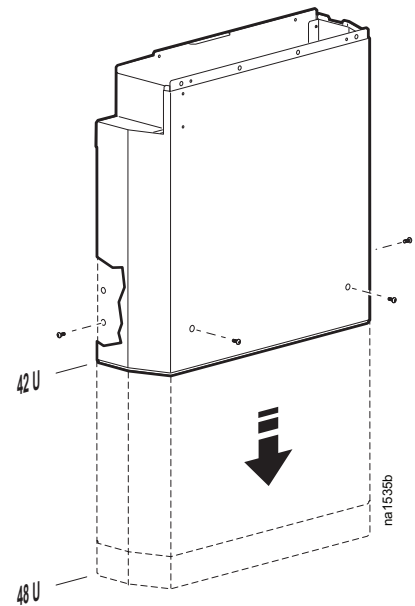
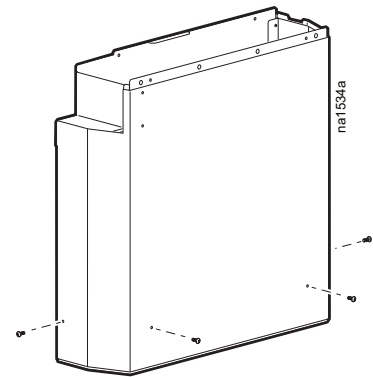


Fan Assembly Extension

Adjust the fan assembly extension

Install the fan assembly extension below the ARU on the mounting frame to cover the open area. The extension is configured by default for use in 42U enclosures. You can extend it to accommodate a 47U or 48U enclosure.

1. Remove the four adjustment screws.
2. Slide the base down and align it with either the 47U or 48U assembly holes.
3. Reinstall the previously removed screws.



Attach the fan assembly extension

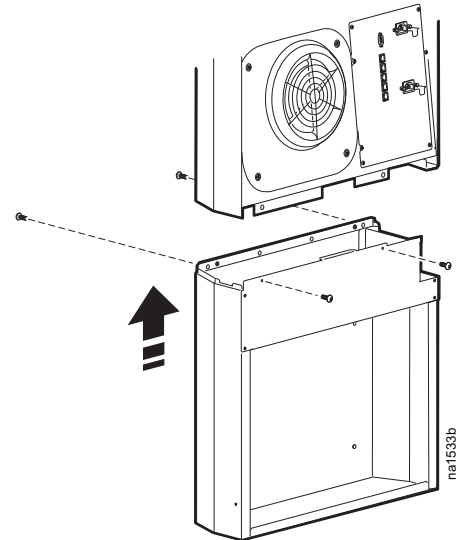
NOTICE

DAMAGE HAZARD

Do not overtighten the screws.

Failure to follow these instructions can result in equipment damage.

1. Slide the fan assembly extension up and into the bottom of the fan assembly.
2. Secure the fan assembly extension to the fan assembly using four M4 Phillips machine screws.
3. Insert hole plugs into all open holes.



Connect the power supply

Ensure that there is adequate power for the fans to run at full capacity.

Acceptable Power

Voltage	Frequency (Hz)	Current (Amps)
120	60	12 (maximum)
100	60	12 (maximum)
200/208/230/240	50/60	10 (maximum)

The UPS in the enclosure must be sized properly to provide adequate power to this unit.

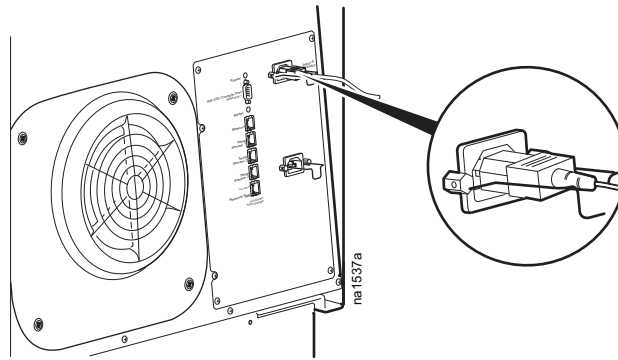
CAUTION

DAMAGE HAZARD

If you are using a UPS, connect the Rack Air Removal Unit SX to a 3000VA, 2.7kW or higher Smart-UPS®. The UPS should not be loaded above 80% when using the Rack Air Removal Unit SX.

Failure to follow these instructions can result in serious injury, or equipment damage.

1. Using one of the supplied power cords, connect the female end to the **A** input socket on the inside of the ARU, as shown. Plug the male end into a power-protected socket and tilt the retainer clip up to ensure that it captures the socket and forms a secure connection.

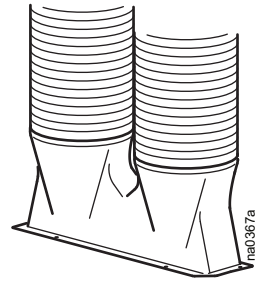


2. To provide redundant power to the unit, use the **B** input socket to connect the ARU to a second source of protected power.

Optional Items

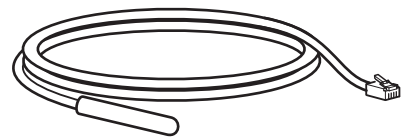
Schneider Electric offers additional products (not included) for the Rack PDU:

- Air Duct Kit (ACF126 for 24-inch ceiling tiles, ACF127 for 600-mm ceiling tiles)—for removal of heat from the air conditioned room. This product is required in a room with a ceiling less than 3.66 m (12 ft) high, but is recommended for all installations regardless of ceiling height.



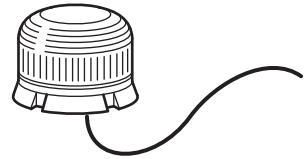
For more information on the Air Duct Kit see the installation sheet provided with the Air Duct Kit, or on the Schneider Electric Web site, www.schneider-electric.com.

- Temperature Sensor (AP9335T)—monitors the air temperature at a location remote from the ARU.



For more information on temperature sensors, see the installation sheet provided with the sensors or on the Schneider Electric Web site, www.schneider-electric.com.

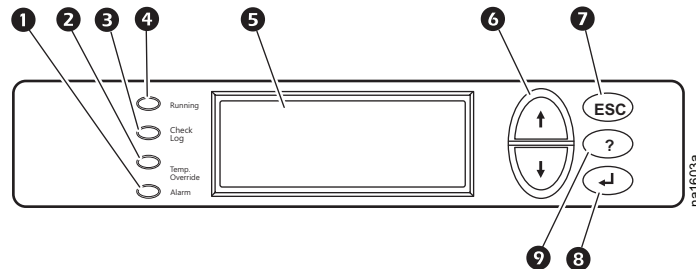
- Alarm Beacon (AP9324)—will light up when an alarm is present.



Operation

Display Interface

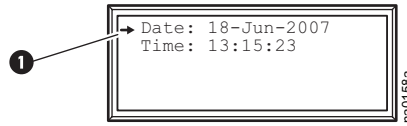
You can use the display interface to configure settings, set alarm thresholds, and provide audible and visual alarms.



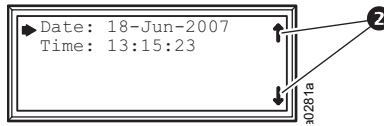
Item	Description	Function
1	Alarm	When red, at least one new critical or warning alarm or event has occurred.
2	Temp Override	When yellow, the temperature override alarm is active.
3	Check Log	When yellow, at least one new event has been added to the event log.
4	Running	When green, the ARU is operating.
5	Liquid crystal display (LCD)	View alarms, status data, configuration items, and help files.
6	Up and down navigation keys	Select menu items and access information.
7	ESC key	Return to previous screen displayed.
8	HELP key	Launch context-sensitive help. Press the HELP key for information about each item on the screen and for instructions on how to perform certain tasks.
9	ENTER key	Open menu items and input changes to system parameters.

Navigating the interface

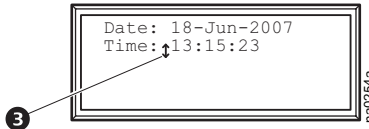
Selector arrows: Press the up or down arrow key to move the selector arrow ❶ to a menu option or setting. Press the ENTER key to view the selected screen or modify the setting.



Continue arrows: Continue arrows ❷ indicate that additional options or settings are available on a menu or status screen. Press the up or down arrow key to view the additional items.

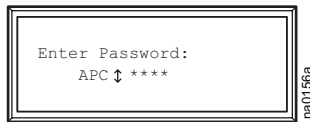


Input arrows: Input arrows ❸ next to a selected setting indicate that the setting can be modified by pressing the up or down arrow key. Press the ENTER key to save the change or the ESC key to cancel the change.



Password entry

When you attempt to change any of the settings, the display will prompt you to enter your password.



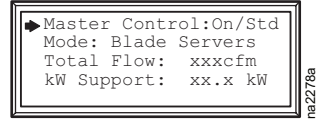
To enter your password, use the up or down arrow keys to scroll through the alphabet. When you reach the desired letter, press the ENTER key and the cursor will move to the next letter position. After entering the last letter of your password, press the ENTER key once more to submit your password.

Note: Passwords are case sensitive. See “Local Password:” on page 23 to change your password.

Set Points

Master Control

To start the fans, select the **On/Std** (Standby) option on the menu and change the setting to **On**. The fans will run according to the current settings. Standby (**Std**) turns the fans off.



Mode

To use the predefined settings, select the rack configuration that is similar to your rack environment. If you adjust the settings and the temperature override settings do not match the predefined settings, the ARU displays **Customized** as your mode of operation.

Mode	Flow Rate	Airflow Ratio	Temperature Override	Temperature Setpoint
Standard IT	7.5 kW (1200 CFM)	160 CFM per kW	On	40°C (104°F)
Mixed IT	10 kW (1200 CFM)	120 CFM per kW	On	45°C (113°F)
Blade Server	16.5 kW (1600 CFM)	80 CFM per kW	On	50°C (122°F)

Airflow: ARU airflow is variable between 400 and 2000 cfm. The settings are in 100 cfm increments between 400 and 1000 cfm, and in 200 cfm increments thereafter.

Temp Override: Temperature override allows the ARU to increase the airflow in the enclosure if the exhaust temperature exceeds the temperature set point **Temp Set Point**.

Temp Set Point: When the exhaust temperature exceeds the set point, the ARU will automatically increase airflow if the **Temp Override** is **On**.

Total Flow

The amount of air being exhausted through the ARU.

kW Support

This kW value can be used to help you to pick the appropriate flow rate based on power draw of the equipment in the rack. The kW value is a calculated value based on the **Total Flow** and the **Operating Mode** since different types of equipment have different airflow requirements.

Fan Status

ARU Fan

Select a fan to view its status.

```
→ ARU Fan: 1of4  
Status: On & Ok  
Speed: xxxxrpm  
Flow: xxxxcfm
```

Status

Summary of the selected fan.

OK: The fan is functioning.

Failed Off: The fan has failed and needs to be replaced.

Cyclic Failure: The fan status has changed from **OK** to **Failed Off** several times. Review the event log to determine the cause.

Speed

The speed of the fan in **cfm** (cubic feet per minute) or **m³/hr** (meters cubed per hour). See “Config” on page 23 to change the units of measure.

Flow

The amount of air the selected fan is moving through the duct into the exhaust system.

Exhaust

Upper plenum

Temperature of the exhaust removed by fans 1 and 2.

```
Exhaust Temperature  
Upper Plenum: xxxC  
Lower Plenum: xxxC  
Override: Warning
```

Lower plenum

Temperature of the exhaust removed by fans 3 and 4.

Override

Warning: The ARU has increased airflow in the enclosure to a level higher than the base airflow. This occurs when the temperature override is enabled and the exhaust temperature is over the **Temp Setpoint**.

Critical: The ARU fans are functioning at their highest speed, and the exhaust temperature is increasing.

Environment

Remote Sensor

Select the remote temperature sensor to view.

```
Remote Sensor: 1 of 3
Temperature: xxxC
Status: Normal
Sensor Config.
```

Temperature

Display the temperature of the selected sensor.

Status

View the detailed alarm status of the selected sensor.

Sensor Config.

View and configure the name, alarm limits, and location for the selected sensor.

Remote Sensor: Select a sensor using the arrow keys.

Name/Location: View and configure the name and location of a sensor.

Temperature Limits: View and configure the alarm limits of a sensor. Set the **Low/Hi** warning threshold, the **Min/Max** critical thresholds, and the **Alarm Reset Hysteresis**. The hysteresis setting requires the measurement causing an alarm to correct itself by at least the set amount before the alarm condition will end.

Rate of Change View and configure the rate of change alarm settings.

Maintenance

Fan History

ARU Fan: View the history of a fan.

Date: View the date the fan was put into service.

Runhours: View the number of hours the fan has been running.

Remaining: View the number of hours remaining before a runtime alarm will exist.

```
Fan History
Fan Runtime
Alarm: >=50,000 hrs
```

Fan Runtime

Fan Runtime Alarm: Set the number of hours the fan operates before an alarm condition indicates that the fan needs to be replaced.

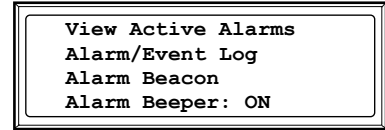
Alarms

When an alarm is triggered, the display interface can issue alerts by the following methods:

- Active alarm screen entry on scrolling status screens
- An optional audible alarm, if enabled, every 30 seconds
- An optional alarm beacon

View Active Alarms

The **View Alarms** screen provides the number of alarms, the severity level of each active alarm, and a brief description of each alarm. Press the up or down arrow keys to view the entire list if it consists of more than one screen.



Alarm/Event Log

View a list of past alarms and events.

New Logged Items: View items logged since the New Logged Items list was last viewed.

Entire Log: View the entire alarm/event log.

Clear Log: A confirmation screen displays when this option is selected. Enter the Admin password to clear the alarm list. Select **YES** to clear all of the alarms in the list. Select **NO** to return to the main screen. If the conditions that caused the alarm still exist, those conditions will cause the alarm to be regenerated.

Clr Latched Alarms: Clear the latched alarm log.

Alarms cleared:

Press any key to Continue.

NOTE: Clearing the log will remove information from the Web and Telnet views as well.

Alarm Beacon

Status: View the status of an installed alarm beacon (optional).

Control: Turn the alarm beacon on or off.

Alarm Beacon Map: Use the arrow keys to scroll through the list of conditions. Press **Enter** to map a condition to the beacon. When **Apply Now (Pending)** appears on the screen, press **Enter** to save the changes.

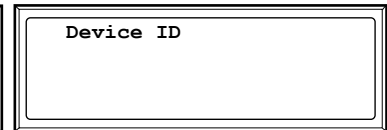
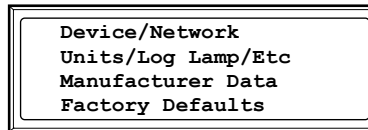
Alarm Beeper

Turn the alarm beeper on or off. When the alarm beeper is set to **ON**, the alarm beeps when an alarm condition exists. When the alarm beeper is set to **OFF**, the alarm does not beep at all. When an alarm condition exists, pressing any button stops the alarm beeper. The alarm beeper restarts if another alarm condition exists.

Config

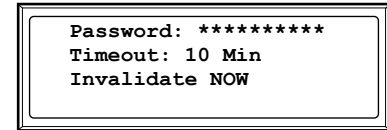
Device/Network

Local Password: Change the system password or the amount of time before timeout.



Password time-out: Set the length of time which can elapse when no keys are pressed before the display interface returns to the scrolling screen status. The password must then be entered to regain access.

Invalidate Password: Override the password time-out and require password entry again.



Date/Time: View or change the current date and time.

Local Interface: Change preferences for contrast, key clicks, beeper, and volume.

Network Config: View or change the IP address, subnet mask, default gateway, or Boot Mode.

- **IP:** The IP address of the Network Management Card.
- **SM:** The subnet mask for the Network Management Card.
- **GW:** The default gateway for the Network Management Card.
- **Boot Mode:** The method by which the Network Management Card acquires network settings.
 - **Manual:** In manual mode you must enter the IP address, subnet mask, and default gateway using the IP Address menu.
 - **BOOTP:** Set the Network Management Card to obtain its network settings from a BOOTP server.
 - **DHCP:** Set the Network Management Card to obtain its network settings from DHCP server
 - **BOOTP&DHCP:** Set the Network Management Card to search for its network settings from either a BOOTP or a DHCP server.

Units/Log Lamp/Etc

Flow Units: Select **cfm** (cubic feet per minute) or **m³/hr** (meters cubed per hour).

Temp Units: Select **C** (Celsius) or **F** (Fahrenheit).

Check Log:

None/Disabled	The light on the user interface will not light when a new event is added to the event log.
Informational	The light will be illuminated when any event is logged.
Warning	The light will be illuminated when a warning or critical alarm is logged.
Severe/Critical	The light will be illuminated only when a critical event is logged.

Rem. Sensor Display: Select **Show** to display a summary of the sensor measuring the inlet temperature of the enclosure. Select **Hide** if a sensor is not installed.

Manufacturer Data

Mfg Data: Displays device name and factory data.

Factory Defaults

Set Configuration to Factory Defaults?: Select **YES** to return all settings to the factory default settings, or select **NO, ABORT**.

Device ID

Name: Define a name for the unit (40 characters maximum).

Contact: Define a contact person for the unit (40 characters maximum).

Location: Define the location of the unit (40 characters maximum).

Input

AC Input A

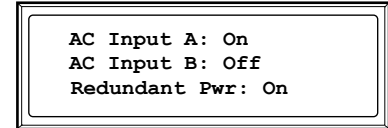
Indicates whether the AC voltage on this input is sufficient to operate the ARU.

AC Input B

Indicates whether the AC voltage on this input is sufficient to operate the ARU.

Redundant Pwr

Set to **ON** to enable an alarm for loss of redundant power. Set to **OFF** when using only one input line cord.



Troubleshooting

Problem	Possible Cause	Corrective Action
The ARU is operating on alternate power source (Input B) even though the main power source (Input A) is available.	The voltage of Input A may be less than 90 V.	Check the Input A voltage. If it is less than 90 V, increase the voltage to 90 V or greater.
	The power board may be faulty.	Contact Schneider Electric Customer Support to replace the electronic module (W0M-7053).
The ARU is delivering less CFM than the set value.	The power board may be faulty.	Contact Schneider Electric Customer Support to replace the electronic module (W0M-7053).
	One or more fans may be faulty.	Contact Schneider Electric Customer Support to replace the faulty fan module (W0M-7054).
The unit is not reading the proper exhaust temperature.	One or more fans may be faulty.	Contact Schneider Electric Customer Support to replace the faulty fan module (W0M-7054).
	Sensor may be faulty.	Contact Schneider Electric Customer Support to replace the faulty sensor.
The beacon is not working.	Improper connection of the beacon.	Make sure that beacon is properly connected.
	The power board may be faulty.	Contact Schneider Electric Customer Support to replace the electronic module (W0M-7053).
	Beacon may be faulty.	Replace the beacon (AP9324).
The network port is not working.	The network cable may not be properly connected.	Properly connect the network cable.
	The Network Management Card may be faulty.	Contact Schneider Electric Customer Support to replace the electronic module (W0M-7053).
The display interface is not functioning properly.	The Network Management Card may be faulty.	Contact Schneider Electric Customer Support to replace the electronic module (W0M-7053).
	Backlight of display interface may be faulty.	Contact Schneider Electric Customer Support to replace the display interface.
The console port is not working.	The unit may be improperly connected to the console port.	Make sure the cable is properly connected.
	The Network Management Card may be faulty.	Contact Schneider Electric Customer Support to replace the electronic module (W0M-7053).
The remote sensor is not reading proper temperature.	The controller board may be faulty.	Contact Schneider Electric Customer Support to replace the electronic module (W0M-7053).
	The sensor may be faulty.	Contact Schneider Electric Customer Support to replace the sensor.
	The remote sensor may be improperly connected, or connected to the wrong port.	Ensure the cable is properly plugged into the ARU and the sensor.

Specifications

Electrical

Input voltage	100 V–240 V, 1 Phase
Frequency	50/60 Hz
Rated current	12 A–10 A
Maximum power consumption	1200 Watts

Environmental

Maximum inlet temperature	50°C (122°F)
Maximum airflow (with ducting kit installed)	2000 CFM (3400 m ³ /hr)
Sound level at maximum airflow	79 dBA at 1 m (3.3 ft)

Physical Dimensions

Fan Assembly

Fan assembly (H x W x D)	135.3 x 58.4 x 19.0 cm (53.3 x 23 x 7.5 in.)
Shipping dimensions (H x W x D)	152.4 x 81.3 x 30.5 cm (60 x 32 x 12 in.)
Net weight	47 kg (104 lb)
Shipping weight	60 kg (125 lb)

Fan Assembly Mounting Frame & Extension

Fan assembly mounting frame (H x W x D)	191.8 x 60 x 22.9 cm (75.5 x 23.5 x 9 in.)
Fan assembly mounting frame extension (H x W x D)	55.9 x 58.4 x 15.9 cm (22 x 23 x 6.3 in.)
Shipping dimensions—frame and extension (H x W x D)	208.3 x 78.7 x 38.0 cm (82 x 31 x 15 in.)
Net weight—frame	12 kg (25 lb)
Net weight—extension	9 kg (19 lb)
Shipping weight—frame and extension	33 kg (73 lb)

Compliance

UL, C-UL, VDE, FCC Part 15, CE, VCCI, CISPR 22, CISPR 24, EN 61000-3-2, EN 61000-3-3, AS/NZS CISPR 22, IRAM

Heat Removal Capacity		
Estimated power that can be drawn by the enclosure based on the amount of airflow provided by the ARU		
Server Inlet Temperature °F (°C)	Temperature Rise °F (°C)	Heat Removed (kW)
77 (25.0)	27 (15.0)	17
75 (23.9)	29 (16.1)	18
72 (22.2)	32 (17.8)	20
70 (21.1)	34 (18.9)	21
68 (20.0)	36 (20.0)	23

* Capacity at maximum airflow rate with the stated temperature rise across the rack. Other airflows and temperature differentials will result in different heat removal capacities

Worldwide Customer Support

Customer support for this or any other product is available at no charge in any of the following ways:

- Visit the Schneider Electric Web site to access documents in the Schneider Electric Knowledge Base and to submit customer support requests.
 - **www.schneider-electric.com** (Corporate Headquarters)
Connect to localized Schneider Electric Web sites for specific countries, each of which provides customer support information.
 - **www.schneider-electric.com/support/**
Global support searching Schneider Electric Knowledge Base and using e-support.
- Contact the Schneider Electric Customer Support Center by telephone or e-mail.
 - Local, country-specific centers: go to **www.schneider-electric.com > Support > Operations around the world** for contact information.

For information on how to obtain local customer support, contact the representative or other distributors from whom you purchased your product.

As standards, specifications, and designs change from time to time, please ask for confirmation of the information given in this publication.

© 2014 Schneider Electric. All Rights Reserved.

The Schneider Electric logo is a trademark owned by Schneider Electric Industries SAS S.A.S., or its affiliated companies. All other trademarks are the property of their respective owners.