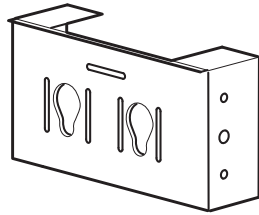


## Spacer Bracket for NetShelter™ 4-Post Open Frame Racks

AR8652

Inventory



6 in. Spacer Bracket (2)



TORX® T30/#2 Phillips Wrench (1)



M6 X 16 Screw (4)

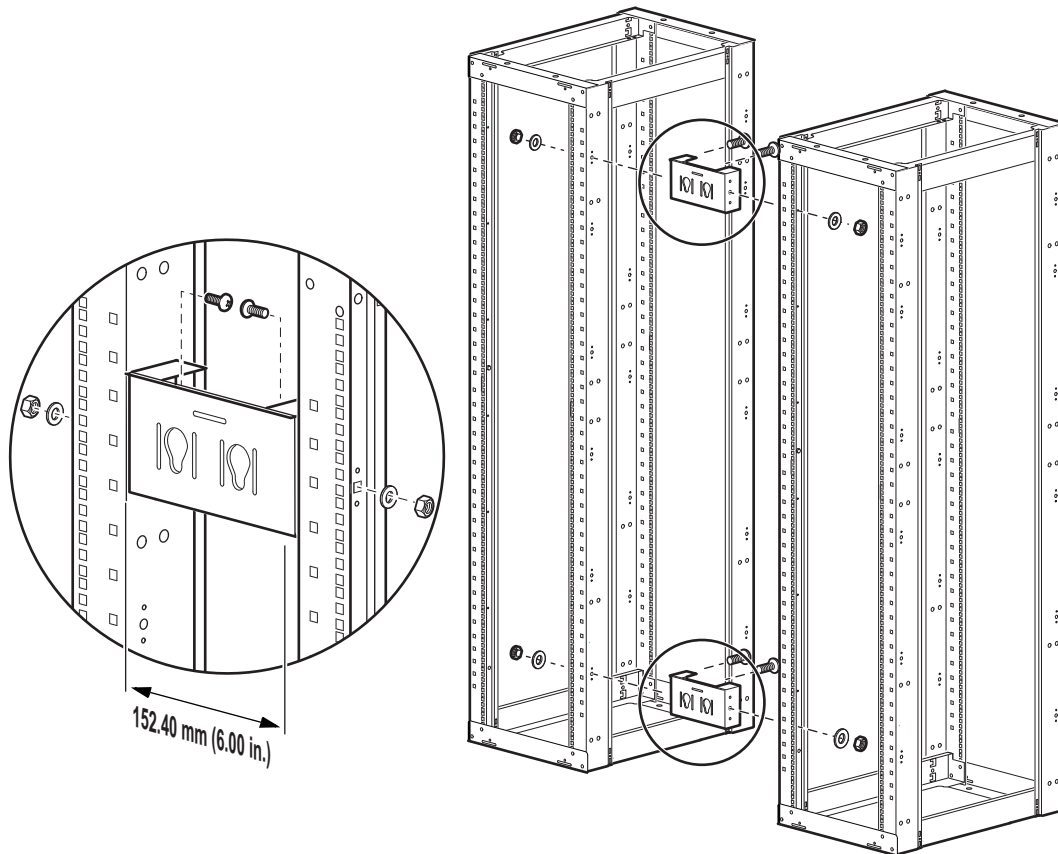


M6 Nut (4)



Flat Washer (4)

Installation



ns1287a

## Alternate Installation

**NOTE:** Combine two spacer brackets for 304.8 mm (12.00 in.) spacing between 4-post racks.

