

Installation

High Security Handle Adapter Kit for the NetShelter CX Cabinet (AR4602A)

This kit adapts a variety of locks to the NetShelter CX line.

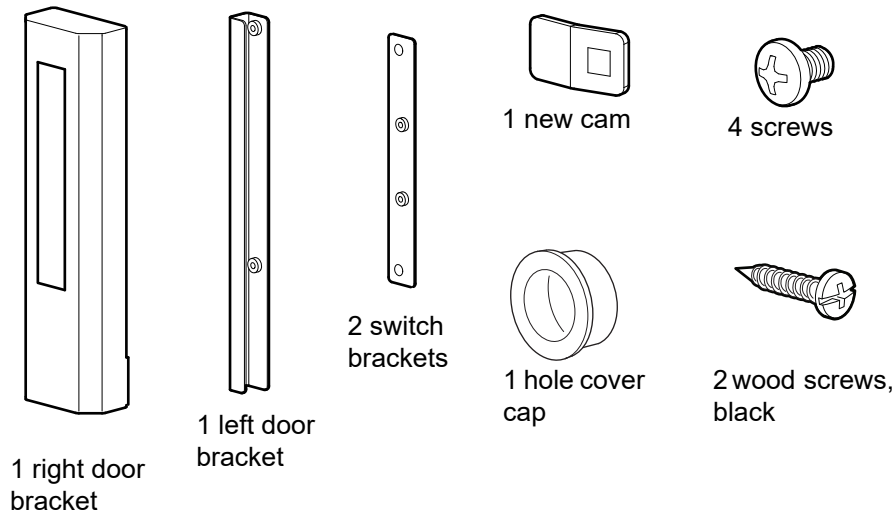
Procedure 1: Installing Mechanical or Combination Lock Handle

- For complete installation instructions for the Combination Lock Handle, refer to Combination Lock Installation and Operation: *Combination Lock Installation and Operation* (pg 4-5) (AR8132A) [990-1264].

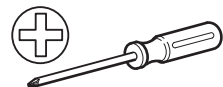
Procedure 2: Installing the HID Proximity Lock Handle

- For complete installation instructions for the installation of the Proximity HID Handle and the Rack Access PX-HID control device, refer to: *Installation Guide NetBotz 125kHz Rack Access Control (NBACS125)* [990-9814].

Inventory

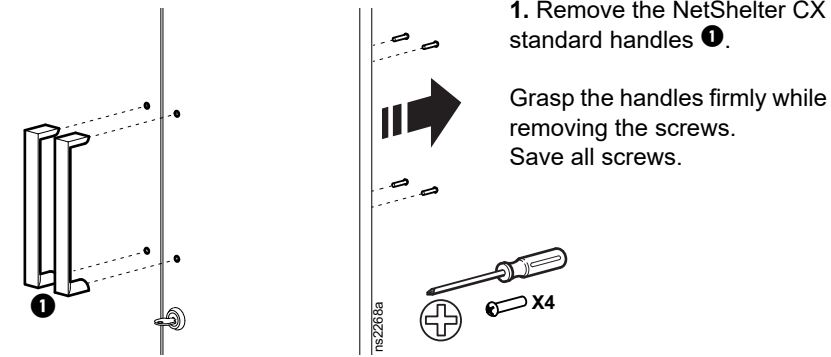


Tools Required (not provided)

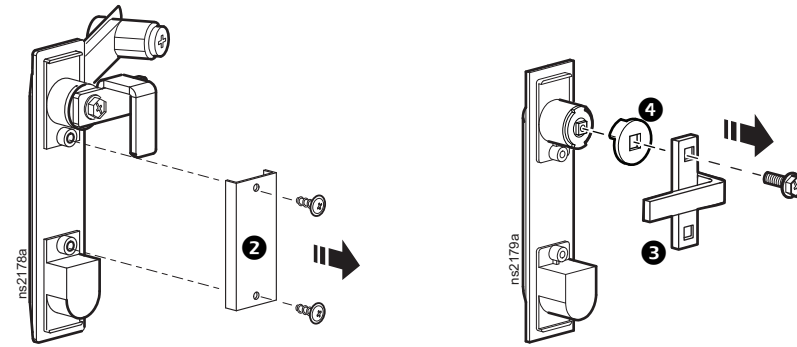


Procedure 1: Installing Mechanical Lock Handle

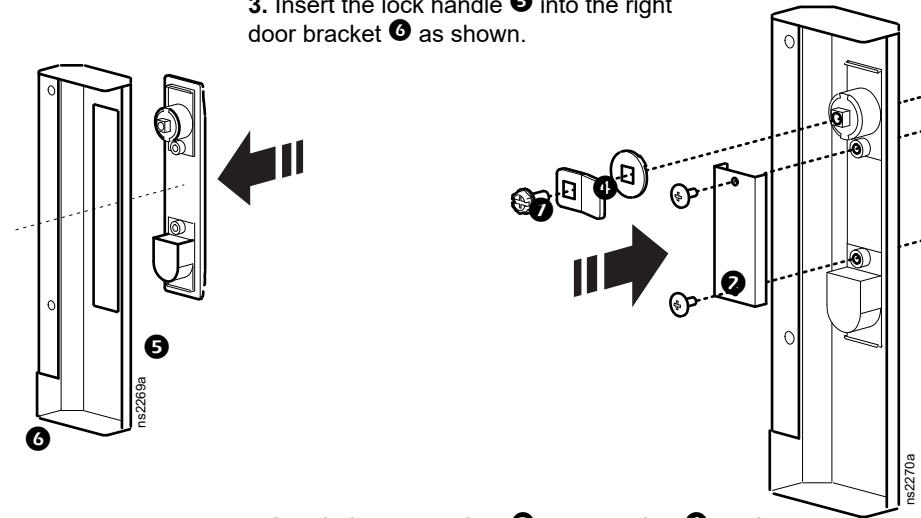
NOTE: For Combination Lock Handle, use the procedure below.



2. Locate the replacement lock handle. Remove the screw plate ②, old cam ③, and cam washer ④.



3. Insert the lock handle ⑤ into the right door bracket ⑥ as shown.

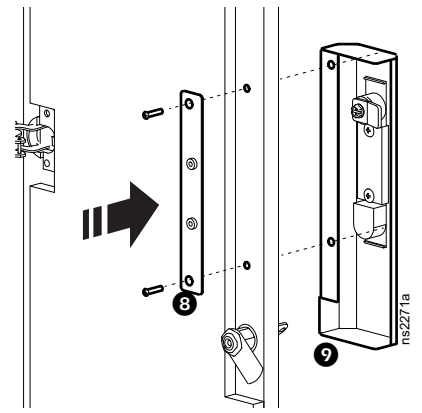


4. Attach the screw plate ②, cam washer ④, and new cam ⑦ from the NetShelter CX High Security Handle Adapter Kit.

Use the same screws and washers. Secure all the hardware.

5. Install switch bracket ⑧, and right door bracket assembly ⑨ onto the right door, using the two (2) screws from the handle removed in Step 1.

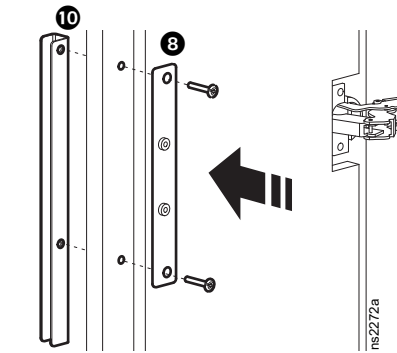
NOTE: Switch bracket ⑧ installation is *optional* in Procedure 1. Install the switch bracket if you are using the *NetShelter Door Sensor Switch Kit* (AP9513). Visit www.apc.com/support for more information.



6. Install switch bracket ⑧ and left door bracket ⑩ onto left door, using two (2) screws from handle, removed in Step 1.

NOTE: Switch bracket ⑧ installation is *optional* in Procedure 1.

Install if using *NetShelter Door Sensor Switch Kit* (AP9513). Visit www.apc.com/support for more information.



Tips & Guidelines: Always close the left door first; lock it in place using the shoot-bolts behind the door. When closing the right door, close it firmly, ensuring the door is fully closed. Failure to do so may result in a poor soundproof seal, and may cause the Security Handles to have difficulty closing.

7/2020

990-5297B-001

©2020 Schneider Electric. APC, the APC logo, NetBotz, and NetShelter are trademarks owned by Schneider Electric, S.A.S.

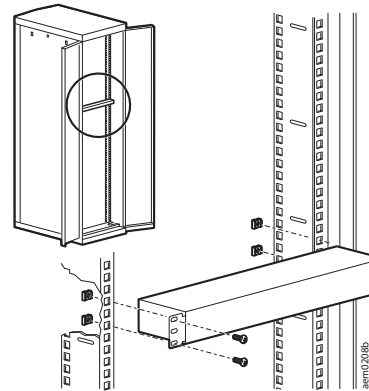
Customer support and warranty information is available at the web site, www.apc.com.

Worldwide Customer Support

Procedure 2: Installing the HID Proximity Handle

NOTE: The following procedure is for adapting the HID proximity lock handle, found in the *NetBotz 125kHz Rack Access Control (NBACS125)*, for the NetShelter CX cabinet.

Prepare the Cabinet



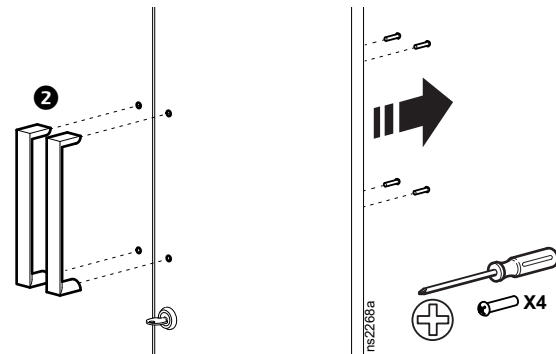
1. Ensure that the Rack Monitor 250 (NBRK0250) **1** is properly installed in the NetShelter CX cabinet.

For the complete installation procedure see: *The Rack Monitor 250 (NBRK0250) Installation Manual, pg 8 - 9.*

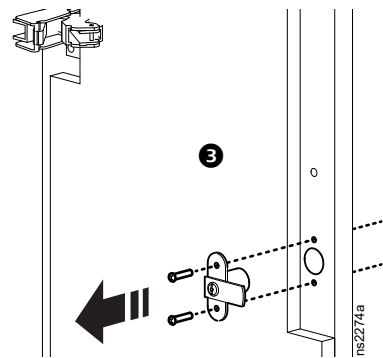
NOTE: For toolless peg mount installation, the peg holes can be found in the cable tray.

2. Remove the NetShelter CX standard handles **2**.

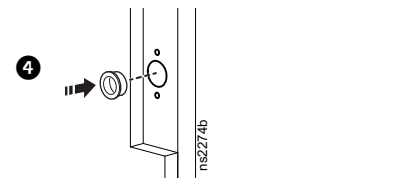
NOTE: Grasp the handles firmly while removing the screws. Save all the screws.



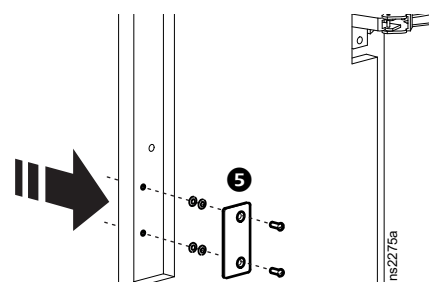
3. Remove the two (2) screws from the right door lock barrel **3**. Extract the lock barrel and the cam from the right door.



4. Insert the Hole Cover Cap **4** in the exposed hole.

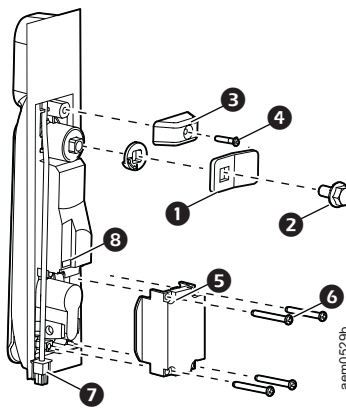
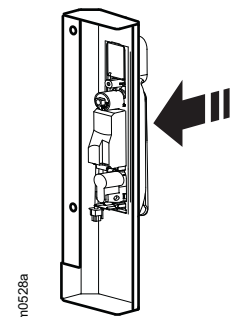


5. Remove the strike plate **5** from the left door by removing two (2) retaining screws and four (4) washers.



Install Rack Access Handle (NBHN125)

1. Slide the new handle through the front of the right door bracket.

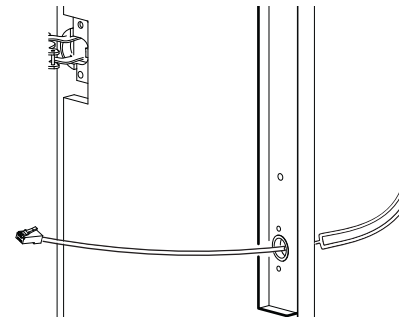


2. Attach the top mounting bracket **3** with the M3 x 14 Pozidriv® screw **4**.

3. Attach the Cam **1** with the Cam screw **2**. **NOTE:** Use the cam included with the HID Handle Adapter Kit as shown in the inventory image on page 1.

4. Attach the bottom bracket **5** using four M3 x 24 Pozidriv® screws **6**, with the tab on the right.

NOTE: Make sure the proximity reader handle cable **7** is outside the right door bracket. Do not crimp the wire during installation.

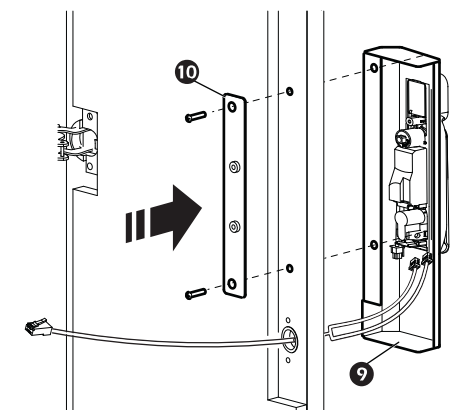


5. Feed the included cable assembly through the lock hole in the right door of the NetShelter CX.

6. Attach the included cable assembly to the proximity reader cable **7** on the handle wire and the lock connector port **8** on the handle.

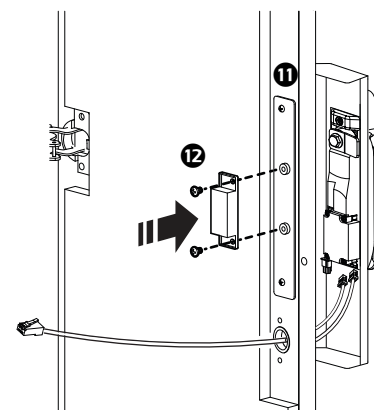
NOTE: Use only the cable assembly provided in the NetBotz Handle Kit.

7. Using the screws and washers from the handles removed in *Prepare the Cabinet; Step 2*, bolt the assembled right door bracket **9** through the right door, to the switch bracket **10**.



8. Route the lock cable and connect to the port marked 'Door Lock' on the Rack Monitor 250.

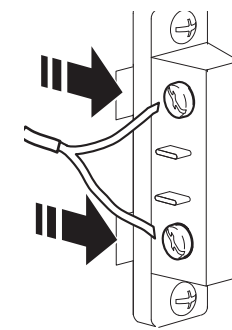
Install the Door Switches



NOTE: Doors with Rack Access Handle Kit (NBHN0125) installed must have Door Switches.

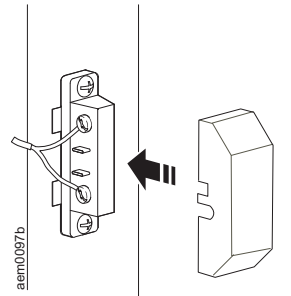
1. Install the door switch magnet **12** to the switch bracket **11** on the right door using two (2) screws from the *NetShelter CX High Security Handle Adapter Kit*.

2. Locate door switch cable, and carefully strip the cover and insulation from a section of each wire end. Be careful not to cut into the wire



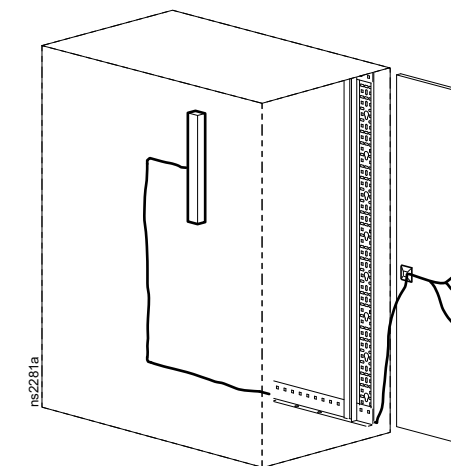
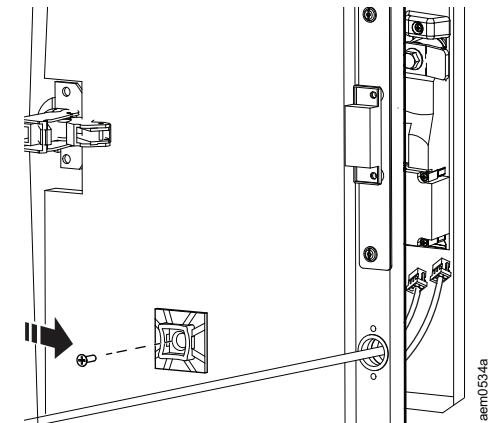
3. Insert the wire ends under the square metal washers and wrap them clockwise around the screws.

Tighten the screws. Place the plastic cover over the door switch, and snap into place. Route the cable through the opening in the cover.



4. Use the black wood screw provided with the kit to attach the cable tie mount to right door.

NOTE: Do not place the plastic cover over the door switch magnet until the door switch has been installed on the right door.

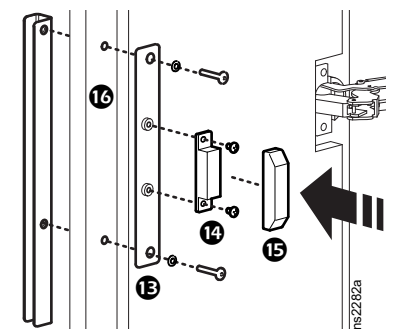


5. Route the door switch cable across the door. Near the hinge, direct the cable to the front bottom corner of the interior frame. Route the cable, and connect it to the port marked 'Front Door Switch' on the rear panel of the Rack Access Handle Kit (NBHN0125).

NOTE: Cable ties and cable tie holder are available with the NetBotz 125kHz Rack Access Control (NBACS125).

6. On the left door, install the door switch magnet **14** onto the switch bracket **13**, using two (2) screws provided in the *NetShelter CX High Security Handle Adapter Kit*. Cover the door switch with the plastic cover **15**.

Bolt the switch bracket assembly to the left door bracket **16**, through the left door using two (2) screws (removed in *Prepare the Cabinet; Step 2*) and washers.



NOTE: For complete configuration instructions of the Rack Monitor 250 & Rack Access Handle Kit refer to Installation Guide provided with NBRK0250 & NBACS0125.

NOTE: Adjust the front doors at the door hinges if they are not aligned. Refer to the NetShelter CX Installation manual for more information.