



## DATA SHEET

# Dual 4K HDMI<sup>®</sup> HDBaseT + VGA, 3.5mm, and RS232 over Cat Switching Extender Box Transmitter to Ultra-Slim Box Receiver - 4K 60Hz

Allows a 4K HDMI source to be extended up to 130ft to a 4K display using a single Cat6a Ethernet cable.

## OVERVIEW

The HDMI Ultra-Slim HDBaseT + RS232 And IR over Cat Extender Box Receiver - 4K 60Hz allows a 4K HDMI source to be extended up to 130ft to a 4K display using a single Cat6a Ethernet cable. This is an ideal solution where HDMI video and audio need to be extended to displays in conference rooms, classrooms, lecture halls, and many other installation needs that are far beyond the length limitations of standard HDMI cabling.

This wall plate transmitter and box receiver accepts HDMI signals over a single network patch cable. Extend 4K HDMI up to 115 feet and 1080p up to 230 feet using a Cat5e or Cat6 cable. For longer 4K distances, extend 4K HDMI or up to 130 feet using a Cat6a cable.

This HDMI HDBaseT set is HDCP 2.2 compliant, making sure that the connection from the source is secure. With bi-directional PoC support, one power adapter at either transmitter or receiver side can power both units, so no additional power adapter is required, allowing for greater flexibility in installations. Advanced users can control bi-directional IR and RS232 pass through.

Note: Ensure a solid reliable connection between the 4K HDMI HDBaseT Extender and critical equipment. We suggest using HDMI Cables with gripping connectors that provide greater port retention than standard HDMI connectors.

Note: Stranded Cat5e/6/6a patch cables may be used for HDMI extension applications up to 230ft. Shielded, solid conductor Cat6 or HDBaseT Certified Cat6a network cabling is recommended for applications where the category cable must be coiled, is run near other high-frequency signaling cables, or in high EMI/RFI environments. For best performance use an HDBaseT Certified Cat6a Patch Cable.

## FEATURES

- Extend 4K at 60Hz (4:2:0) up to 130ft and 1080p at 60Hz up to 230ft with Cat 6a cable
- Extend 4K at 60Hz (4:2:0) up to 115ft and 1080p at 60Hz up to 200ft with Cat 5e/6 cable
- HDCP 2.2 compliant, to create a secure connection between the source and display

## ITEM DESCRIPTION

C2G30027 Dual 4K HDMI<sup>®</sup> HDBaseT + VGA, 3.5mm, and RS232 over Cat Switching Extender Box Transmitter to Ultra-Slim Box Receiver - 4K 60Hz

## SIGNAL SPECIFICATIONS

### Transmitter

- Chipset: VS010-TX LPGA-196, EP92A6SQ QFN-128, MS9282 LQFP-64, STM32F103RCT6 LQFP-64, STM8S105K6T6C LQFP-32
- Input/Output Ports: 1 x VGA IN; 1 x VGA AUDIO IN; 2 x HDMI IN; RS232; 1 x HDBT OUT; 1 x Micro USB; DC 18V IN
- Input Signal Type: HDMI 1.4 with 4K @ 60Hz 4:2:0 8bit, HDCP 2.2; VGA input up to 1920x1200 @ 60Hz
- Audio Format: HDMI IN: Supports multi-channel audio formats, including PCM 7.1, Dolby TrueHD, Dolby Atmos, DTS-HD Master Audio and DTS:X
- Maximum Pixel Clock: 340Mhz
- Maximum Data Rate: 10.2Gbps
- Control and configure both local and remote devices via RS232
- One-way IR pass through from the TX to the connected RX

### Receiver

- Chipset: VS010 Type, Model Number: VS010-RX LPGA-268
- Input/Output Ports: 1 x HDMI OUT; 1 x HDBT IN; 1 x RS232; 1 x IR IN; 1 x IR OUT; 1 x DC 18V IN
- Output Signal Type: HDMI 1.4 with 4K @ 60Hz 4:2:0 8bit, HDCP 2.2
- Audio Format: HDMI IN: Supports multi-channel audio formats, including PCM 7.1, Dolby TrueHD, Dolby Atmos, DTS-HD Master Audio and DTS:X
- Maximum Pixel Clock: 340Mhz
- Maximum Data Rate: 10.2Gbps
- Supports bi-directional IR and RS232 pass-through

## TRANSMISSION DISTANCE

### Transmitter/Receiver

- Cat 6a/7 cable, extends 4Kx2K@60Hz (4:2:0) signal up to 40m/130ft and 1080P@60Hz signal up to 70m/230ft
- Cat 5e cable, extends 4Kx2K@60Hz (4:2:0) signal up to 35m/115ft and 1080P@60Hz signal up to 60m/200ft

## ELECTRICAL SPECIFICATIONS

### Transmitter

- Power Supply: Bi-directional PoC, one power adapter at either transmitter or receiver side can power both units
- Power Supply: DC 18V

### Receiver

- Power Consumption (Max): 8.88W (Pair, PoC)

## PHYSICAL SPECIFICATIONS

### Transmitter/Receiver

- Operating Temperature: 0°C to 45°C (32°F to 113°F)
- Storage Temperature: -20°C to 70°C (-4°F to 158°F)
- Humidity: 10% to 90%, Non-Condensing
- ESD Protection: Human-body Model: ±8kV (Air-gap discharge) / ±4kV (Contact discharge)

## PHYSICAL CHARACTERISTICS

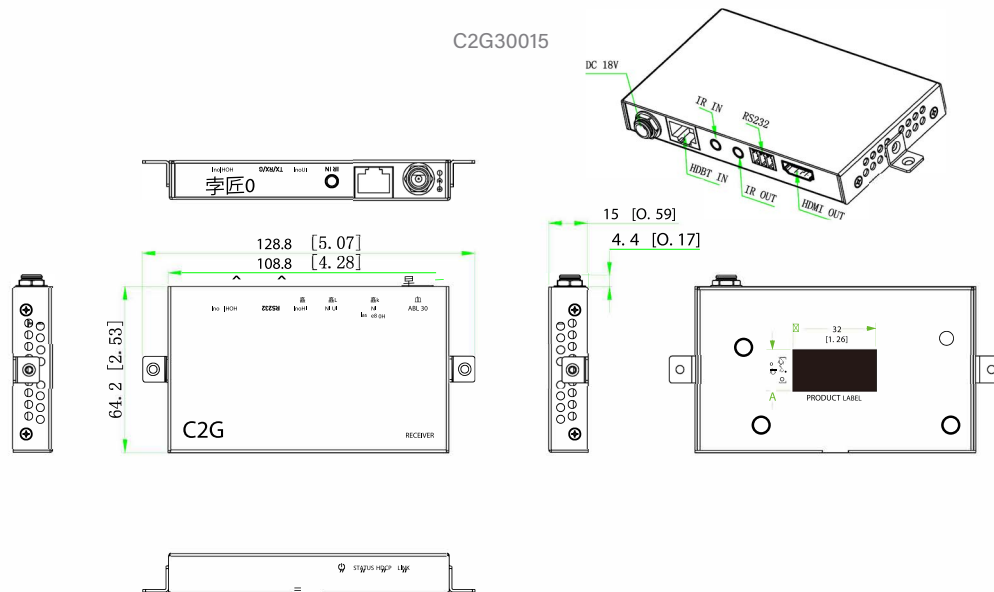
### Transmitter

- Device Dimension (W x H x D): 194.7mm x 20mm x 94mm / 7.67" x 0.79" x 3.7"

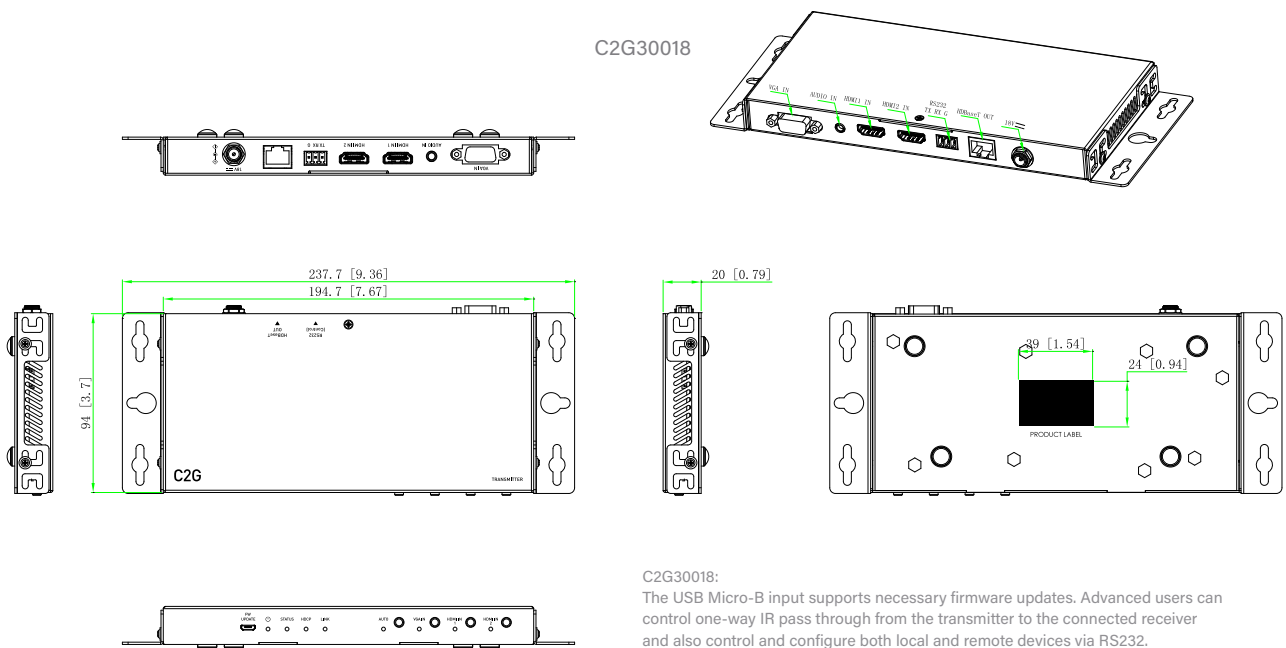
### Receiver

- Device Dimension (W x H x D): 108.8mm x 15mm x 64.2mm / 4.3" x 0.6" x 2.5"

C2G30015



C2G30018



**C2G30018:**  
The USB Micro-B input supports necessary firmware updates. Advanced users can control one-way IR pass through from the transmitter to the connected receiver and also control and configure both local and remote devices via RS232.



LEGRAND | AV COMMERCIAL BRANDS

C2G | Chief | Da-Lite | Luxul | Middle Atlantic | Vaddio | Wiremold

## SIMPLIFIED CONNECTIVITY

USA 800.506.9607 | c2g.com | legrandav.com | customer-service@c2g.com

EMEA +31 495 580 840 | c2g.com/uk | legrandav.com | c2g.emea@av.legrand.com

©2022 Legrand AV Inc. 220445 Rev A 8/22 C2G is a registered trademark of Legrand AV Inc. All other brand names or marks are used for identification purposes and are trademarks of their respective owners. All patents are protected under existing designations. Other patents pending.