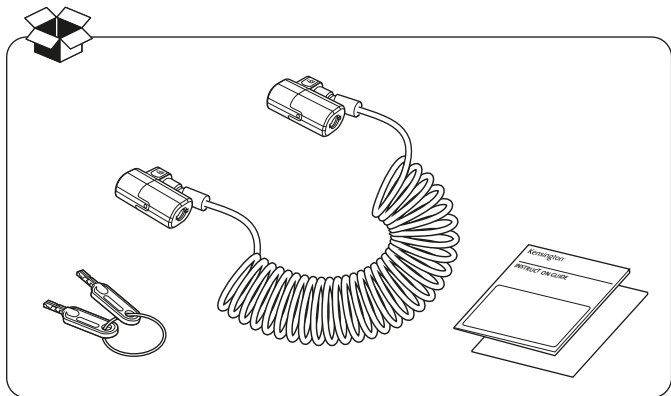


# Kensington®

## ClickSafe® Portable Duo

INSTRUCTION GUIDE  
GUIDE D'INSTRUCTIONS  
BEDIENUNGSANLEITUNG  
HANDLEIDING  
MANUALE DI ISTRUZIONI  
MANUAL DE INSTRUCCIONES

HASZNÁLATI ÚTMUTATÓ  
PŘÍRUČKA S POKYNY  
INSTRUKCJA OBSŁUGI  
РУКОВОДСТВО ПОЛЬЗОВАТЕЛЯ  
MANUAL DE INSTRUÇÕES



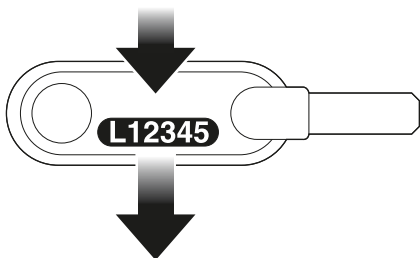
**Register Now!**  
Enregistrer maintenant !  
Jetzt registrieren!  
Nu registreren  
Registrar ahora  
Registra adesso

**Regisztráljon most!**  
Zaregistrujte se nyní!  
Zarejestruj się!  
Зарегистрироваться!  
Registe-se agora!

[register.kensington.com](http://register.kensington.com)



**IMPORTANT! REGISTER YOUR KEY CODE! /  
IMPORTANT! ENREGISTREZ VOTRE CODE CLÉ! /  
WICHTIG! REGISTRIEREN SIE IHREN KEYCODE! /  
BELANGRIJK! REGISTREER UW SLEUTELCODE! /  
IMPORTANTE! EFFETTUARE LA REGISTRAZIONE DEL  
CODICE DELLA CHIAVE /  
IMPORTANTE: REGISTRE EL CÓDIGO DE LA LLAVE /  
FONTOS! REGISZTRÁLJA A KULCSKÓDJÁT! /  
DŮLEŽITÉ! REGISTRUJTE KÓD SVÉHO KLÍČE! /  
WAŻNE! ZAREJESTRUJ KOD KLUCZYKA! /  
ВАЖНО! ЗАРЕГИСТРИРУЙТЕ СВОЙ КОД КЛЮЧА! /  
IMPORTANTE! FAÇA O REGISTO DO SEU CÓDIGO CHAVE!**

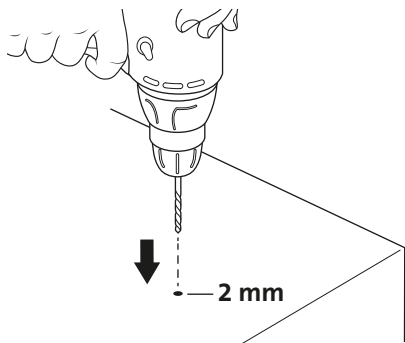


**register.kensington.com**

#

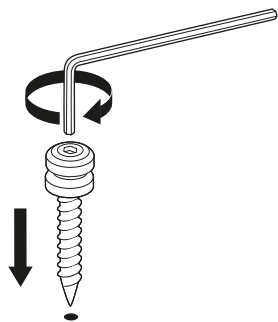
--	--	--	--	--	--

1



A

2

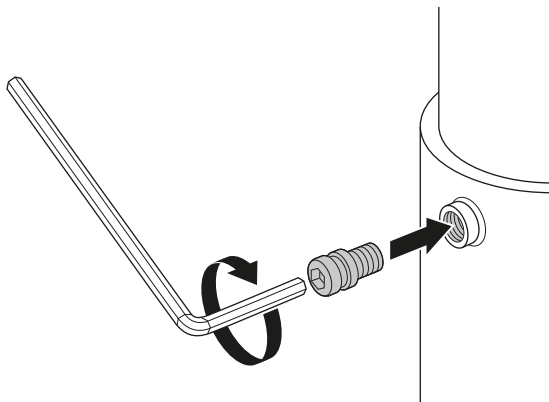


3

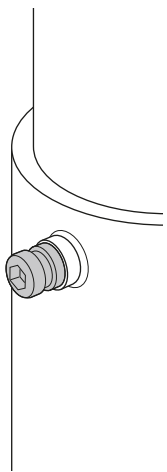


1

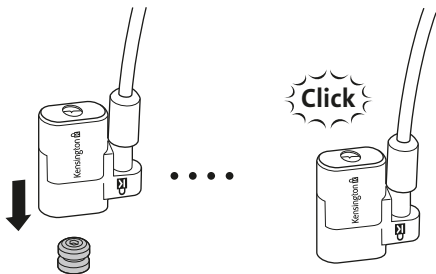
B



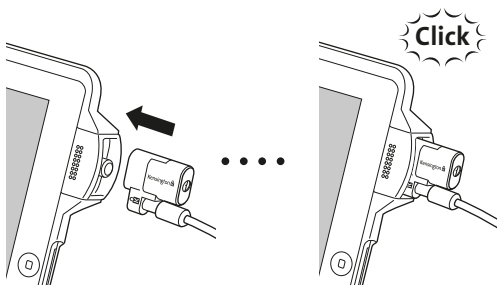
2



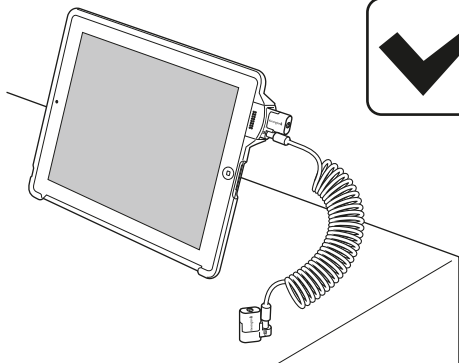
1



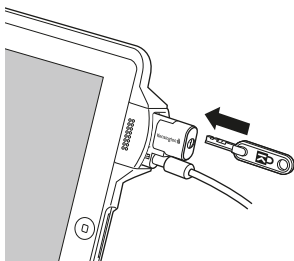
2



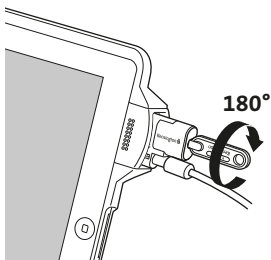
3



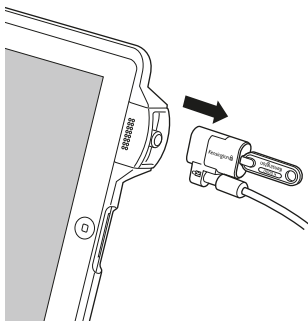
1



2



3



**Technical Support / Assistance technique / Technischer Support /  
 Technische ondersteuning / Supporto tecnico / Asistencia técnica /  
 Műszaki támogatás / Technická podpora / Pomoc techniczna /  
 Техническая поддержка / Assistência técnica**

Australia	1300 881 931	Nederland	010 713 1882
België / Belgique	02 401 2395	New Zealand	0800 539 26273
Brasil	14 3235-4003	Norway	80017520
Canada	1 800 268 3447	Österreich	0800 677 873
Denmark	80 250966	Polska	22 570 18 00
Deutschland	0692 222 3654	Portugal	800855802
España	911 146 735	Russia	007 495 933 5163
Finland	0800 9 15697	Schweiz / Suisse	044 580 6667
France	01 7671 0404	Sweden	08 5033 6577
Hungary	06 20 9430 612	United Kingdom	0203 364 5390
Ireland	01 431 1395	United States	1 800 535 4242
Italia	02 3604 7030	International Toll	+31 53 484 9135
México	55 15 00 57 00		

Kensington and the ACCO name and design are registered trademarks of ACCO Brands. The Kensington Promise is a service mark of ACCO Brands. ClickSafe is a registered trademark of Acco Brands. All other registered and unregistered trademarks are the property of their respective owners. Covered by one or more of US Pat. No's 6,081,974; 6,317,936; 6,360,405. Patent pending.

©2012 Kensington Computer Products Group, a division of ACCO Brands. Any unauthorized copying, duplicating, or other reproduction of the contents hereof is prohibited without written consent from Kensington Computer Products Group. All rights reserved. 09/12



**Kensington Computer  
Products Group**  
**A Division of ACCO Brands**  
333 Twin Dolphin Drive,  
6th Floor  
Redwood Shores, CA 94065

**ACCO Brands Europe**  
Oxford House  
Oxford Road  
Aylesbury  
Bucks, HP21 8SZ  
United Kingdom

**ACCO Brands Canada**  
5 Precidio Court  
Brampton  
Ontario, L6S 6B7  
Canada

**ACCO Australia**  
Level 2, 8 Lord St  
Botany NSW 2019  
Australia

**ACCO MEXICANA, S.A. DE C.V.**  
Avenida Circuito de la Industria  
Norte # 6  
Parque Industrial Lerma,  
Lerma, 52000 Estado de Mexico  
MEXICO

**Acco Brands Chile S.A.,**  
Avda. San Josemaria  
Escrivá de Balaguer N°5773  
Vitacura, C.P. 7640870  
Santiago, Chile

**Tilibra Produtos de  
Papeleria Ltda.**  
Rua Aimorés, 6-9  
Bauru, CEP 17013-900  
São Paulo, Brasil

Designed in California, U.S.A.  
by Kensington

Made in China  
Patents Pending

[www.kensington.com](http://www.kensington.com)