

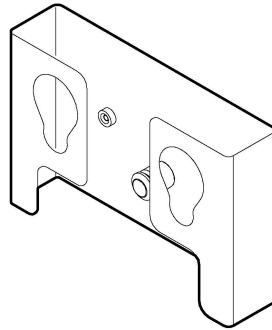


by Schneider Electric

Rack Power Distribution Unit Mounting Bracket

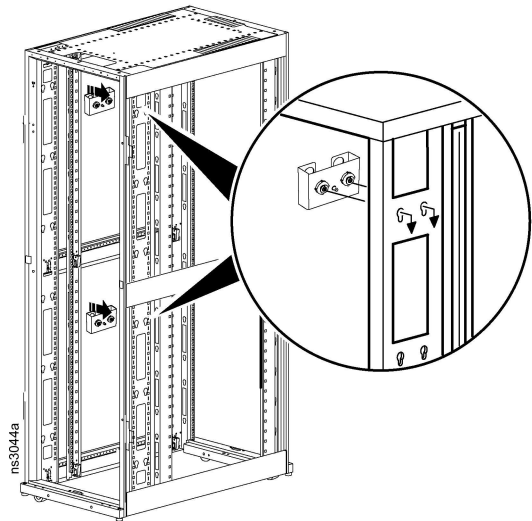
EPDU-BRKT

**INVENTORY:
EASY RACK PDU
MOUNTING BRACKET
QUANTITY: 2**

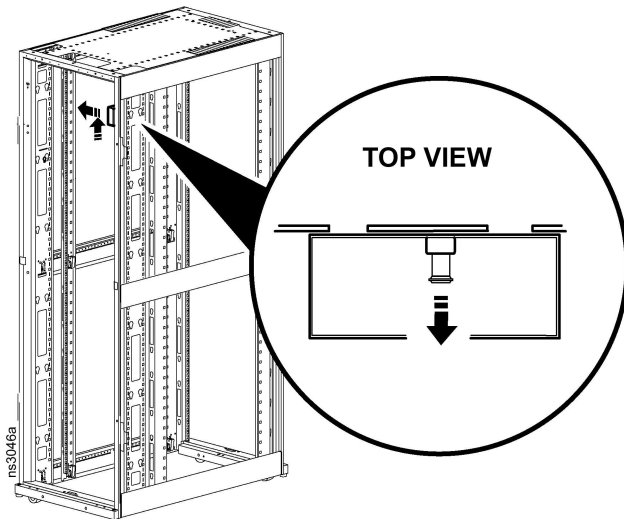


Installation

Use the toolless mounting pegs to install the bracket to the rack. Place the pegs through the mounting holes as shown in the illustration and push the bracket down so the pegs sit in the bottom part of the mounting hole which is smaller than the top in order to secure the pegs in place.



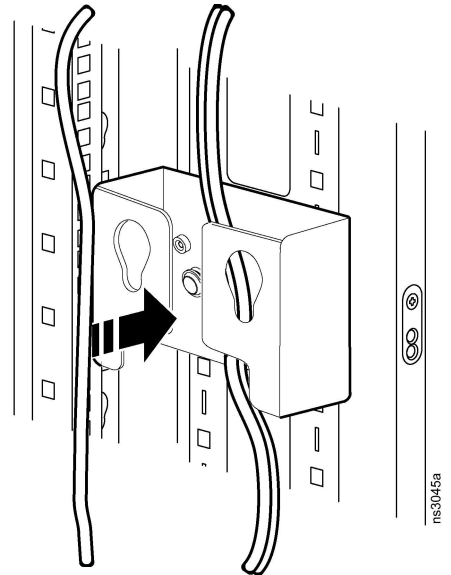
Removal



To remove the bracket from the rack, pull the plunger to release tension, lift the bracket up to the wider portion of the installation holes and pull the bracket away.

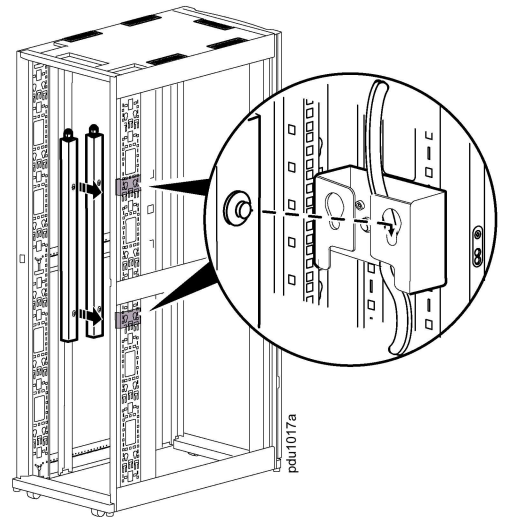
Cable Management

Insert the cables into the space between the back of the bracket and the front mounting area as shown.



Rack PDU Installation

Use the toolless mounting pegs on your Rack PDUs to install the PDUs to the mounting holes on the brackets.



Customer support and warranty information are available on the APC by Schneider Electric website, www.apc.com.

© 2020 APC by Schneider Electric. APC and the APC logo are owned by Schneider Electric S.E. All other trademarks are property of their respective owners.