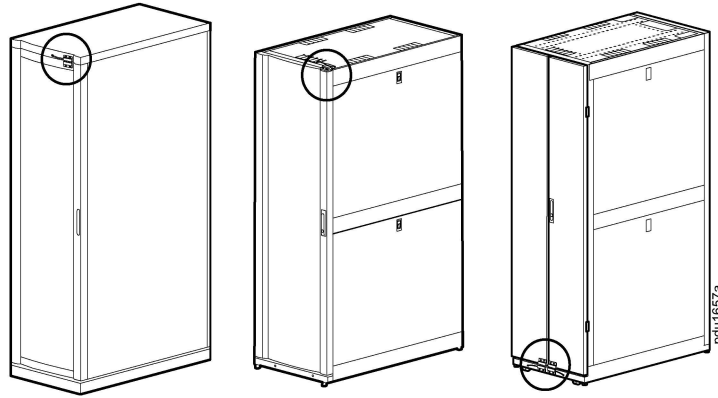
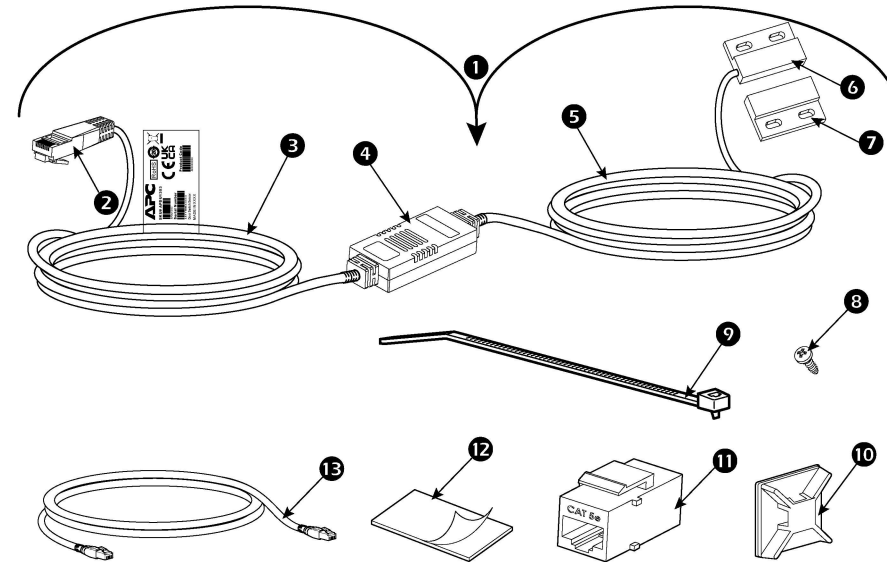




NetShelter Rack PDU Advanced Door Sensor Kit APDU1303 Installation

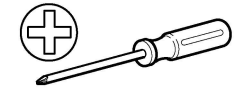
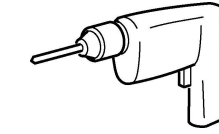


Inventory



Tools Required (not provided)

Depending on your installation, the tools below may be required.



Drill with 1/16 in. (1.5 mm) bit #2 Phillips screwdriver

IMPORTANT INFORMATION

The Door Switch Sensor is designed to send an alarm or notification signal when the door on which it is installed is opened more than 10mm.

The installation location of the Magnet and Magnetic Switch for the Door Switch Sensor is dependent on the configuration of your rack and your specific requirements.

NOTICE

HAZARD OF EQUIPMENT DAMAGE

This Door Switch Sensor is designed to connect only to a NetShelter Rack PDU Advanced. Connecting the sensor to another device may result in damage.

Failure to follow these instructions can result in equipment damage.

NOTICE

- The Magnet and the Magnetic Switch do not require physical contact to operate properly.
- For each installation option, test that the Door Switch Sensor is operational while holding the Magnet in its intended position before securing the Magnet.

NOTE: Use the RJ45 coupler (provided) and an additional 1.8 m RS-485 extension cable (provided) to extend the length of the RS-485 cable attached to the door sensor. You can use a longer RS-485 cable (not provided) to extend the length up to 30.5 m (100 ft).

4/2022

990-91599

© 2022 Schneider Electric. All rights reserved.

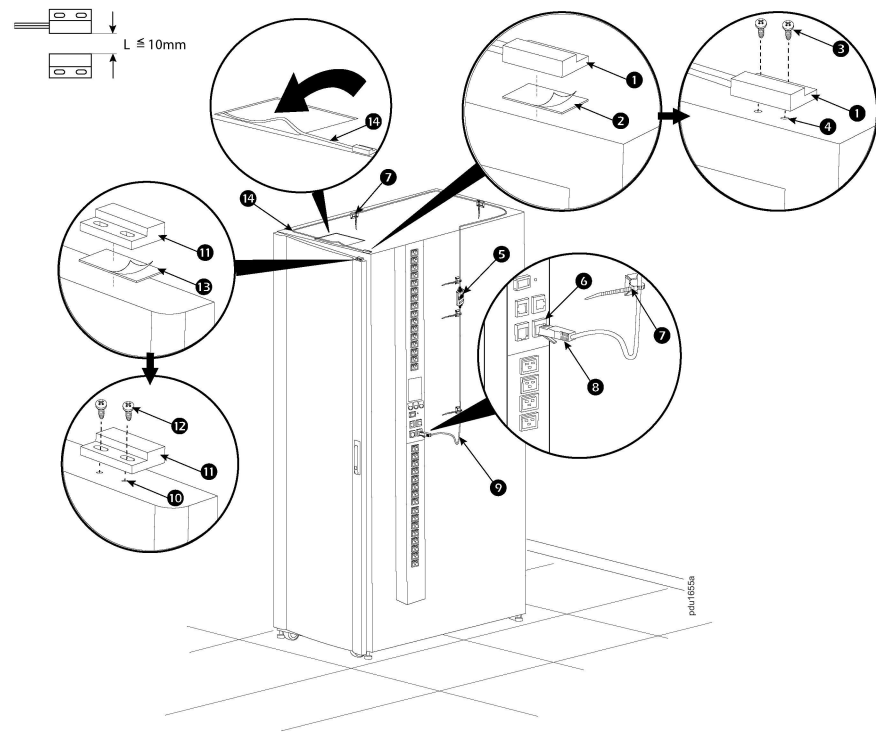
1	Door Switch Sensor Assembly (Qty 1)
2	RJ45 Connector (Part of Door Switch Sensor Assembly)
3	RS-485 Cable (Part of Door Switch Sensor Assembly)
4	Door Switch Sensor (Part of Door Switch Sensor Assembly)
5	Sensor Cable (Part of Door Switch Sensor Assembly)
6	Magnetic Switch (Part of Door Switch Sensor Assembly)
7	Magnet (Part of Door Switch Sensor Assembly)
8	Tap Screw (Qty 4)
9	Cable Tie (Qty 5)
10	Adhesive-Backed Mount (Qty 5)
11	RJ45 Quick Disconnect Coupler (Qty 1)
12	Double-Sided Adhesive Mounting Tape (Qty 2)
13	RS-485 Extension Cable 1.8m (Qty 1)

Customer support and warranty information is available at www.apc.com

Worldwide Customer Support

Installation

Rack Roof Exterior Mounting Option



1. Attach the Magnetic Switch ❶ with attached Sensor Cable to the top corner of the rack on the side that the rack door closes using the Double-sided Adhesive Mounting Tape ❷ to secure the Magnetic Switch in position. If preferred or required, the Magnetic Switch ❶ can be secured instead by first drilling two holes ❹ in the top of the rack using a drill with 1/16 in. (1.5 mm) bit (not provided) and two (2) of the provided Tap Screws ❸.

2. Route the Sensor Cable ❺ from the Magnetic Switch into the rack through one of the cable access locations on the roof. Secure the Sensor Cable to the inside of the rack with the provided Adhesive-Backed Mounts and Cable Ties ❷ or you can use only the Cable Ties if preferred.

3. Secure the Door Switch Sensor ❽ with the provided Adhesive-Backed Mounts and Cable Ties ❷.

4. Position the Magnet ❶ on the rack door at the top corner across from the Magnetic Switch ❶.

Plug the RJ45 Connector ❺ on the RS-485 Cable ❹ into a Sensor Port ❷ (sensor port 2 shown in illustration) on the NetShelter Rack PDU Advanced.

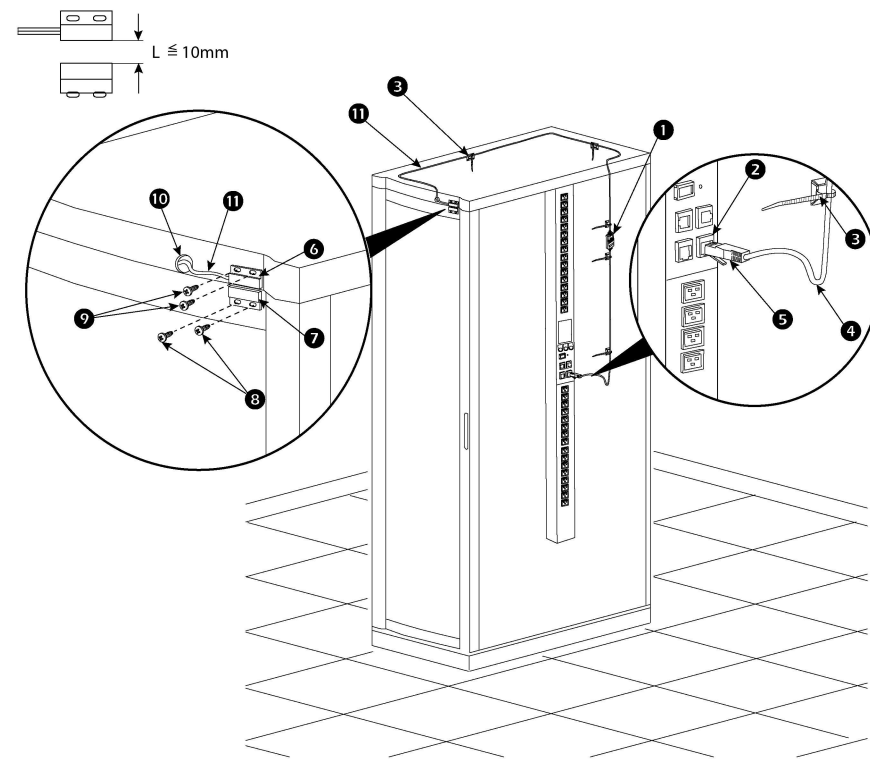
6. Log into the Web User Interface to access the Door Sensor and the alarm and notification settings. If the Door Sensor is recognized in the Web User Interface, the Magnet position to the Magnetic Switch is correct.

7. Secure the Magnet ❶ to the rack door with the Double-sided Adhesive Mounting Tape ❷. The Magnet ❶ can also be secured by first drilling two holes ❹ in the top of the rack using a drill with 1/16 in. (1.5 mm) bit (not provided) and two (2) of the provided Tap Screws ❷.

8. Secure the RS-485 Cable ❹ to inside surfaces of the rack with the provided Adhesive-Backed Mounts and Cable Ties ❷ or with Cable Ties alone if preferred.

9. In the Web User Interface of the NetShelter Rack PDU Advanced, manage the Door Switch Sensor alarm and notification settings. The Door Switch Sensor is designed to alarm if the door is opened more than 10mm.

Rack Exterior Mounting Option



1. Attach the Magnetic Switch ❶ (with attached Sensor Cable) to the top of the rack door frame with two (2) Tap Screws ❹ (provided). Use a drill with 1/16 in. (1.5 mm) bit (not provided) to make the holes in the rack for the Tap Screws.

2. Thread the Sensor Cable ❺ attached to the Magnetic Switch into the rack through one of the cable access locations on the roof. Drill a hole ❷ large enough to thread the Sensor Cable through if your rack has no roof cable access.

3. Secure the Sensor Cable ❺ to the interior surfaces of the rack with the provided Adhesive-Backed Mounts and Cable Ties ❷ or Cable Ties alone if preferred.

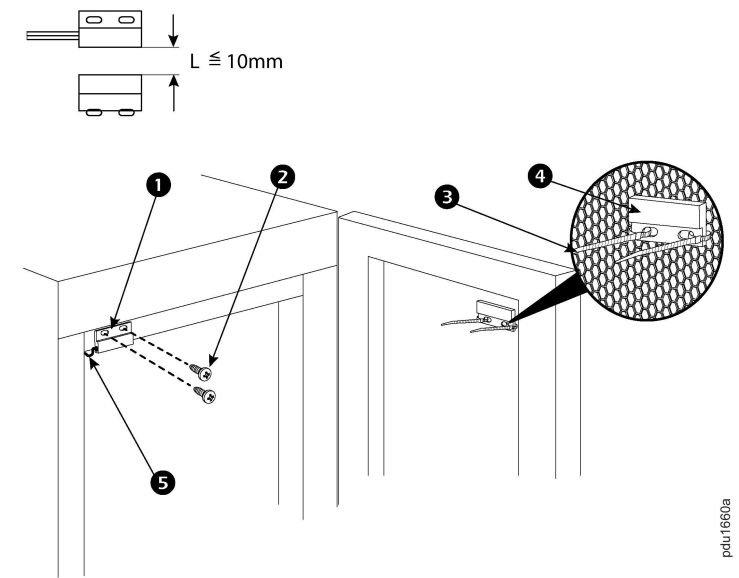
4. Secure the Door Switch Sensor ❽ with the provided Adhesive-Backed Mounts and Cable Ties ❷.

5. Plug the RJ45 Connector ❺ on the RS-485 Cable ❹ into a Sensor Port ❷ (sensor port 2 shown in the illustration) on the NetShelter Rack PDU Advanced.

6. Position the Magnet ❶ on the door. Check in the Web User Interface of the NetShelter Rack PDU Advanced that the Door Switch Sensor ❽ is recognized before securing the Magnet ❶ to the door with two (2) Tap Screws ❹ (provided). Use a drill with 1/16 in. (1.5 mm) bit (not provided) to make the holes in the door for the Tap Screws.

7. In the Web User Interface of the NetShelter Rack PDU Advanced, you can manage the Door Switch Sensor alarm and notification settings. The Door Switch Sensor is designed to alarm if the door is opened more than 10mm.

Rack Interior Mounting Option



1. Attach the Magnetic Switch ❶ to the rack frame on the inside of the door frame with the two (2) provided Tap Screws ❹. Drill holes to mount the screws. Use a drill with a 1/16 in. bit to make the holes.

2. Thread the Sensor Cable ❺ through the rack.

NOTICE

Refer to the illustrations in the previous option sections for visual examples of step 3 and 4 below.

3. Secure the Sensor Cable inside the rack with the Adhesive-Backed Mounts and Cable Ties. You can use only the Cable Ties where practical.

4. Plug the RJ45 connector on the RS-485 Cable into a Sensor Port on the NetShelter Rack PDU Advanced.

5. Position the Magnet ❶ on the inside of the door. Check in the Web User Interface of the NetShelter Rack PDU Advanced that the Door Switch Sensor is recognized before securing the Magnet to the door.

6. Secure the Magnet ❶ with Cable Ties ❷ to the inside of the rack door.

7. In the Web User Interface of the NetShelter Rack PDU Advanced, you can manage the Door Switch Sensor alarm and notification settings. The Door Switch Sensor is designed to alarm if the door is opened more than 10mm.